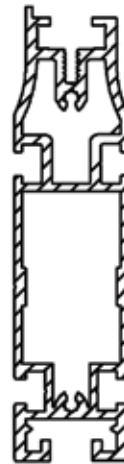


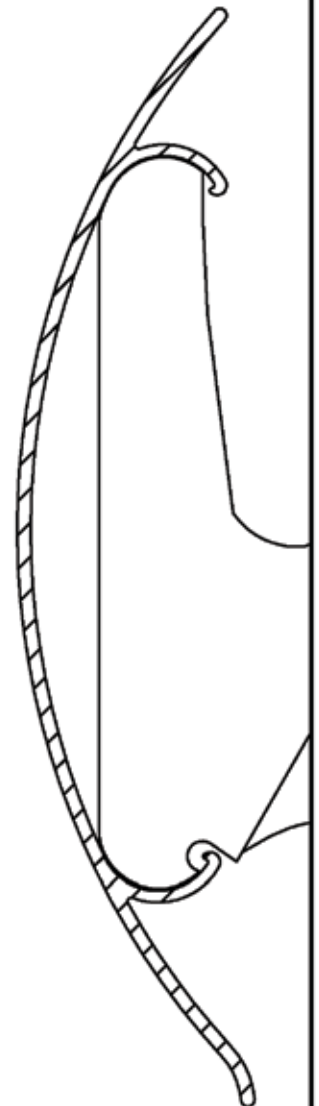
65 mm

1:2



120 mm

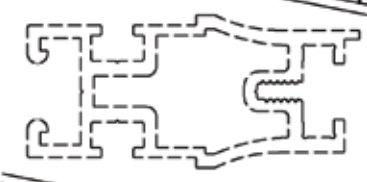
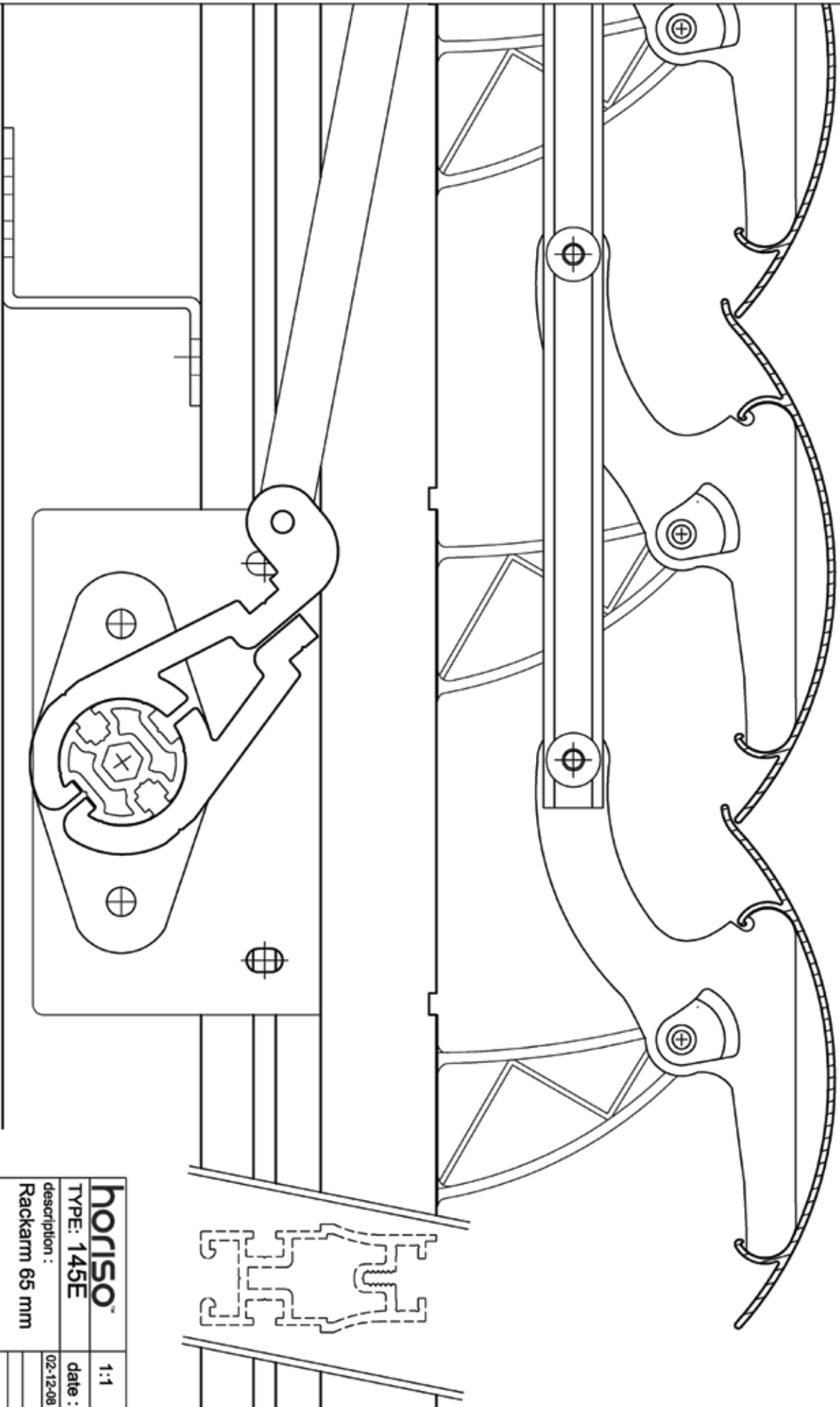
1:2



1:1

RACKARM

		65mm	120mm
max. width	W	max. 690 cm	max. 690 cm
max. length	L	max. 600 cm	max. 600 cm
max. area :			
Tube motor + gear		max. 18 m ²	max. 18 m ²
Linear actuator : Piccolo		max. 24 m ²	max. 30 m ²
Econom		max. 30 m ²	
number of rack arms	R	200 cm = 2 pcs	200 cm = 2 pcs
(minimum)		201-360 cm = 3 pcs	201-360 cm = 3 pcs
		361-540 cm = 4 pcs	361-540 cm = 4 pcs
		541-690 cm = 5 pcs	541-690 cm = 5 pcs
rack arm distance	X	180 cm	180 cm
slat side overhang	Y	40 cm	40 cm
support distance	Z	225 cm	400 cm



horiso		1:1
TYPE: 145E		date :
description :		02-12-08
Rackarm 65 mm		

horiso - 22 Myrtle Street Marrickville NSW 2204 Australia Website : www.horiso.com E-mail : info@horiso.com Tel : (61 2) 8755 4500 Fax : (61 2) 8755 4555

DWG nr : D.145.150.01