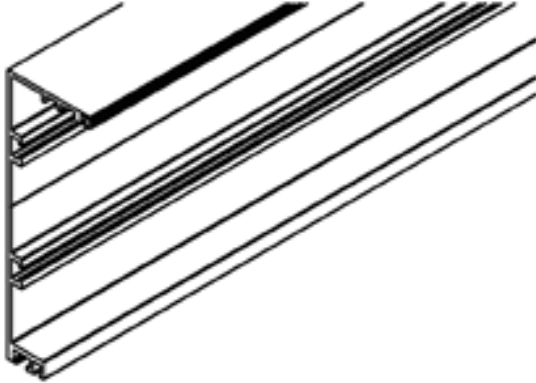
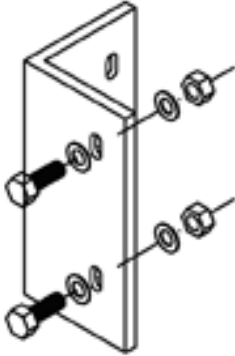
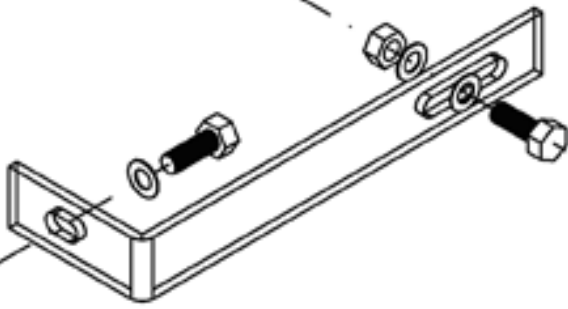



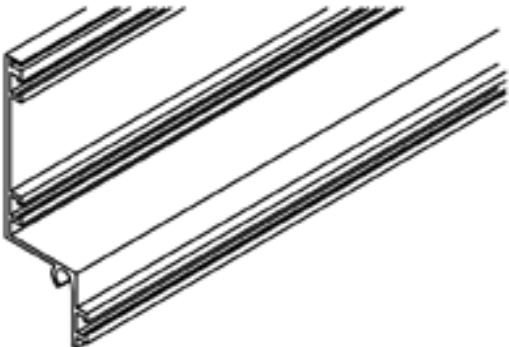
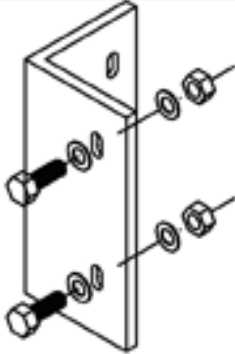
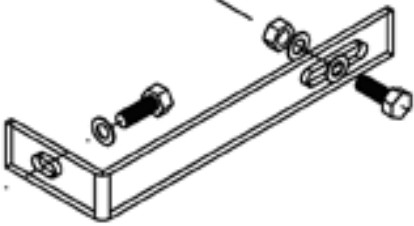
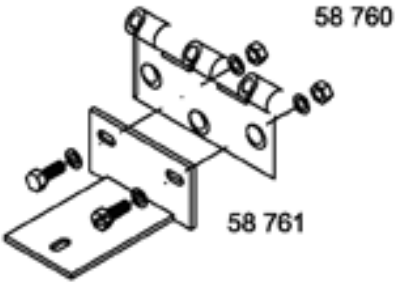

Facia Frame 165

horiso™

Code		
00 165		Frame 165 x 55
58 749	 <p>100 x 50 x 50 x 5</p>	Angle
58 713	 <p>50x150x20x3</p>	Side support
88 825	 <p>L = 300 cm</p>	Brushes 21 mm
add to	: } Code +00 mill finish +01 anodised	

Facia Frame 145

horiso™

<p>Code</p> <p>00 140</p>		<p>Frame 145 x 50</p>
<p>58 749</p>	<p>100 x 50 x 50 x 5</p> 	<p>Angle</p>
<p>58 713</p>		<p>Side support</p>
<p>58 765</p>	 <p>58 760</p> <p>58 761</p> <p>kit</p>	<p>Hinge support</p>
<p>58 763</p>	 <p>wingbolt m6</p> <p>kit</p>	<p>Frame support</p>
<p>add to : } Code ... +00 mill finish +01 anodised</p>		