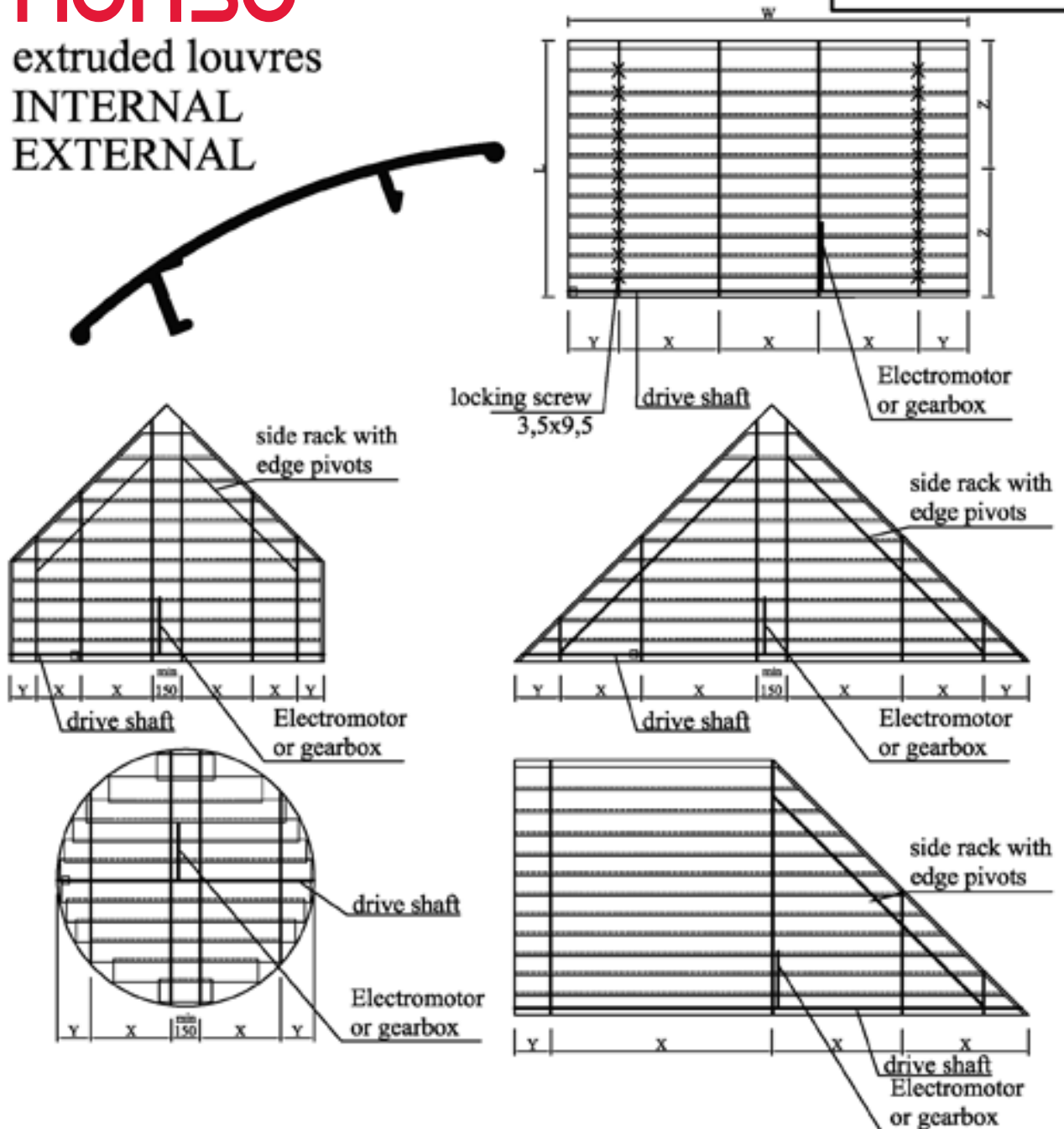


horiso™



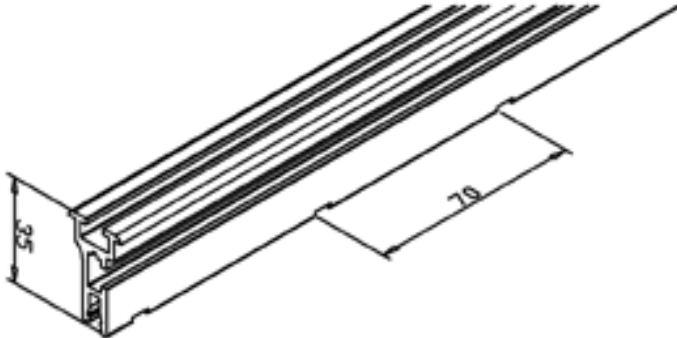
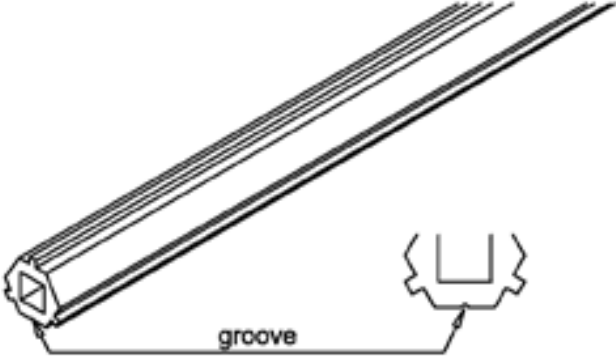
extruded louvres
INTERNAL
EXTERNAL

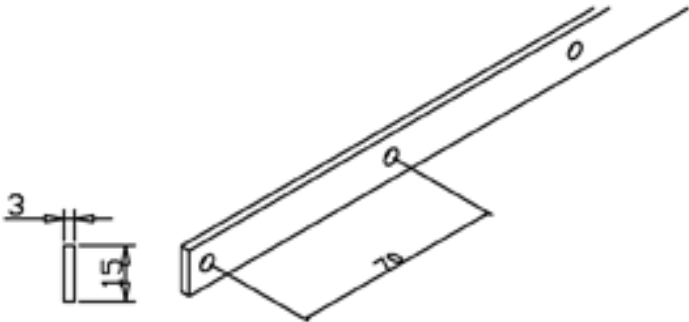
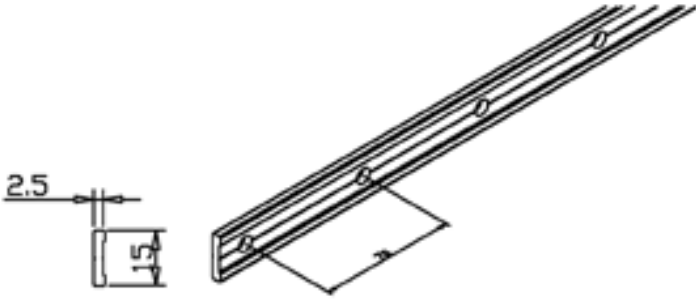
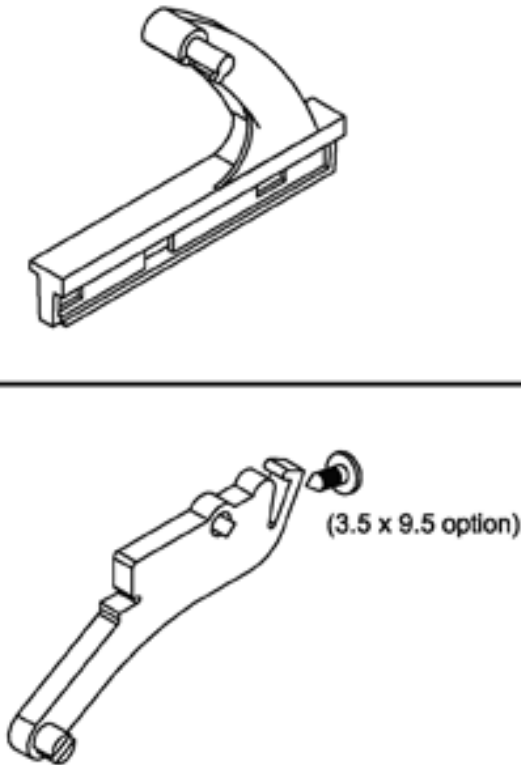


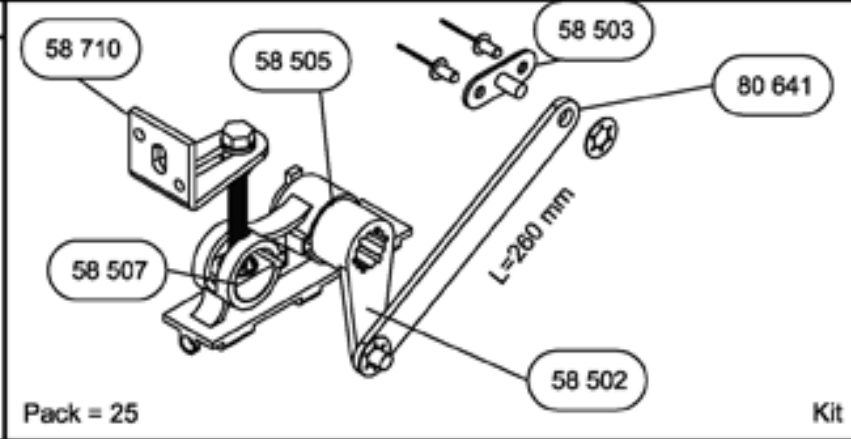
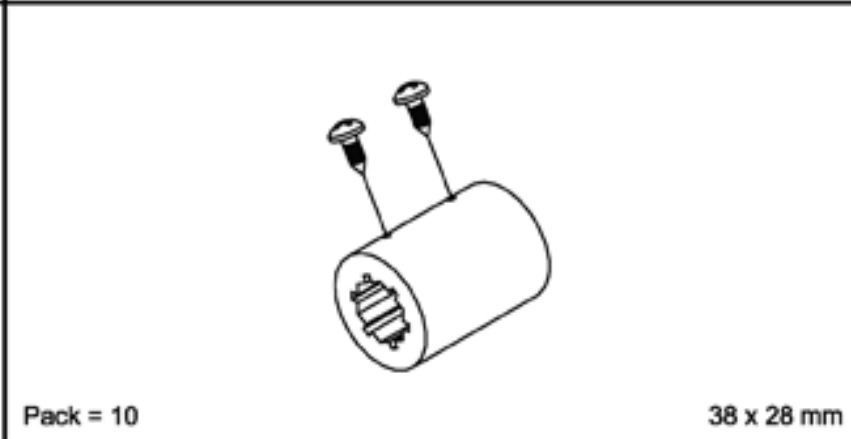
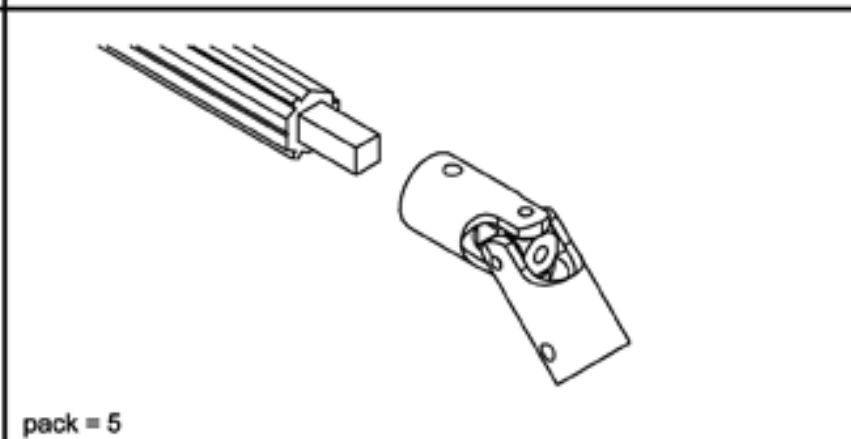
DATA 75 E

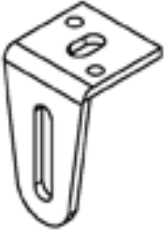

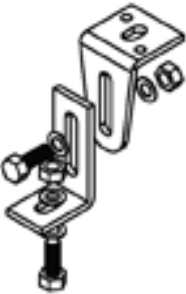
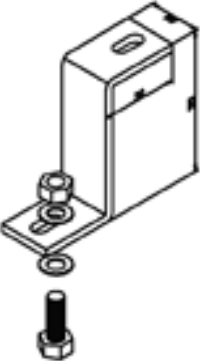


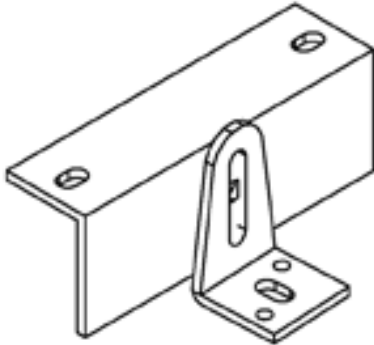
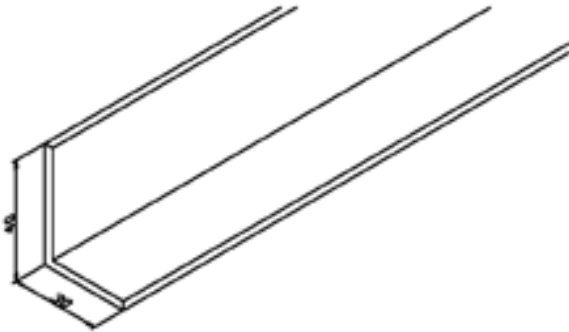
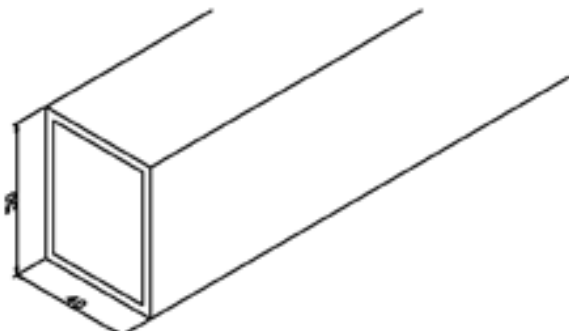
		horiso 75 E extruded louvre	
		Internal	External
max. width	W	max. 500 cm	max. 600 cm
max. length	L	max. 600 cm	max. 400 cm
max. area			
gearbox (rod & crank)		max. 16 m ²	max. 12 m ²
50220 230V tubular+gear 6:1 / 7:1		max. 20 m ²	max. 18 m ²
50263 230V compact motor		max. 10 m ²	not applicable
50265 230V compact motor		max. 20 m ²	not applicable
number of rack arms (minimum)	R	220 cm = 2 pcs	190 cm = 2 pcs
		221-360 cm = 3 pcs	191-320 cm = 3 pcs
		361-500 cm = 4 pcs	321-450 cm = 4 pcs
		501-600 cm = 5 pcs	451-580 cm = 5 pcs
			581-600 cm = 6 pcs
rack arm distance	X	140 cm	130 cm
slat side overhang	Y	40 cm	30 cm
support distance	Z		
st. rack arm 35 mm		240 cm	150 cm
hd. rack arm 80 mm		350 cm	280 cm


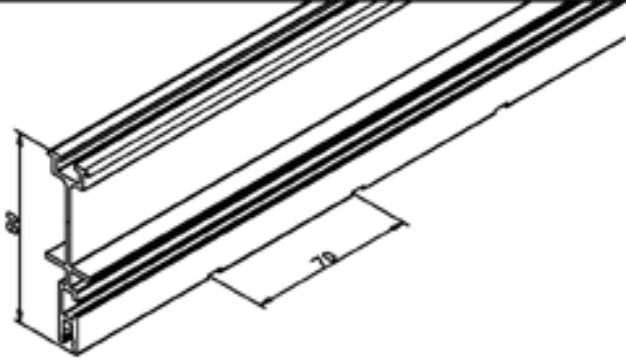
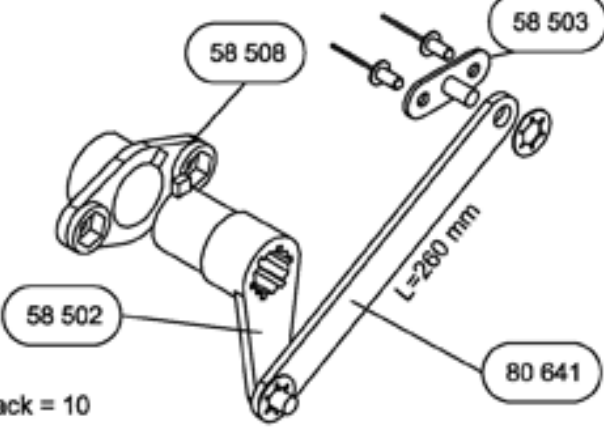
Code		Louvre 75E (extruded)														
00 075	L = 4000 - 5000 - 6000 mm at availability															
75 000		Rack arm assembly														
	L = 6000 mm															
58 080		Rack arm extrusion														
	Pack = 10 x 6000 mm															
58 060		Drive shaft														
	Pack = 10 x 6000 mm															
add to	<table border="0"> <tr> <td rowspan="3">Code ...</td> <td>+00</td> <td>mill finish</td> <td rowspan="3">} <u>Nylon components</u></td> </tr> <tr> <td>+01</td> <td>anodised</td> </tr> <tr> <td>+02</td> <td>RAL + RAL-Nr.</td> </tr> </table>	Code ...	+00	mill finish	} <u>Nylon components</u>	+01	anodised	+02	RAL + RAL-Nr.	<table border="0"> <tr> <td>+00</td> <td>silver</td> </tr> <tr> <td>+01</td> <td>black</td> </tr> <tr> <td>+02</td> <td>brown</td> </tr> </table>	+00	silver	+01	black	+02	brown
Code ...	+00		mill finish	} <u>Nylon components</u>												
	+01		anodised													
	+02	RAL + RAL-Nr.														
+00	silver															
+01	black															
+02	brown															

Code		Operating strip (standard)														
80 153	Pack = 10 x 6000 mm	15 x 3 mm														
80 152		Operating strip (Powder coating)														
88 200	pack = 1000	Pivot arm														
88 100		Slot clip (3.5 x 9.5 option)														
add to	<table border="0"> <tr> <td rowspan="3">Code ...</td> <td>+00</td> <td>mill finish</td> <td rowspan="3">} Nylon components</td> </tr> <tr> <td>+01</td> <td>anodised</td> </tr> <tr> <td>+02</td> <td>RAL + RAL-Nr.</td> </tr> </table>	Code ...	+00	mill finish	} Nylon components	+01	anodised	+02	RAL + RAL-Nr.	<table border="0"> <tr> <td>+00</td> <td>silver</td> </tr> <tr> <td>+01</td> <td>black</td> </tr> <tr> <td>+02</td> <td>brown</td> </tr> </table>	+00	silver	+01	black	+02	brown
Code ...	+00		mill finish	} Nylon components												
	+01		anodised													
	+02	RAL + RAL-Nr.														
+00	silver															
+01	black															
+02	brown															

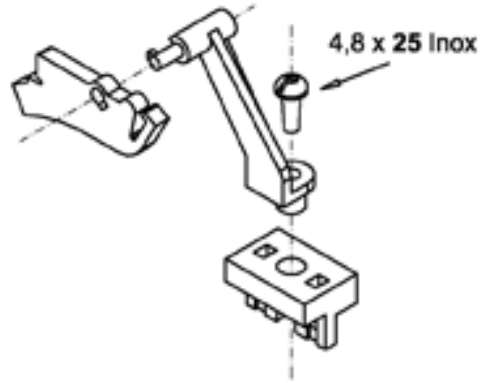
Code		Bearing bracket assy				
88 360	Pack = 25	Kit				
58 540		Shaft coupler				
	Pack = 10	38 x 28 mm				
58 905		Universal joint				
add to	pack = 5	<table border="0"> <tr> <td data-bbox="1141 1937 1356 2116"> Aluminium </td> <td data-bbox="1356 1937 1527 2116"> Nylon components </td> </tr> <tr> <td data-bbox="1141 1937 1356 2116"> +00 mill finish +01 anodised +02 RAL + RAL-Nr. </td> <td data-bbox="1356 1937 1527 2116"> +00 silver +01 black +02 brown </td> </tr> </table>	Aluminium	Nylon components	+00 mill finish +01 anodised +02 RAL + RAL-Nr.	+00 silver +01 black +02 brown
Aluminium	Nylon components					
+00 mill finish +01 anodised +02 RAL + RAL-Nr.	+00 silver +01 black +02 brown					

Code			
58 710	pack = 100	50x30x30x3	Angle bracket 50x30 
58 715	pack = 100	50x30x20x3	Angle bracket 50x20 
58 720	pack = 25	kit	Centre support, (kit) 
58 706	pack = 25	kit	Z - support 55 
add to	: } Code ... +00 mill finish +01 anodised +02 RAL + RAL-Nr.		} Nylon components +00 silver +01 black +02 brown

Code			Double support									
58 718	pack = 10	40 x 30 x 3 x 110										
00 403	L = 6000		Cross angle 40x30									
00 504	L = 6000		Cross bar 50x40									
add to	<table border="0"> <tr> <td rowspan="3" style="font-size: 3em; vertical-align: middle;">}</td> <td rowspan="3" style="vertical-align: middle;">Code ...</td> <td>+00 mill finish</td> <td rowspan="3" style="font-size: 3em; vertical-align: middle;">}</td> <td>+00 silver</td> </tr> <tr> <td>+01 anodised</td> <td>+01 black</td> </tr> <tr> <td>+02 RAL + RAL-Nr.</td> <td>+02 brown</td> </tr> </table>		}	Code ...	+00 mill finish	}	+00 silver	+01 anodised	+01 black	+02 RAL + RAL-Nr.	+02 brown	
}	Code ...	+00 mill finish			}		+00 silver					
		+01 anodised					+01 black					
		+02 RAL + RAL-Nr.	+02 brown									

Code			Rack arm assembly (heavy duty)														
75 080	L = 6000 mm																
			Rack arm extrusion (heavy duty)														
58 020	Pack = 5 x 6000 mm																
80 355			Bearing bracket (heavy duty)														
	pack = 10		Kit														
add to	: } Code <table border="0" style="display: inline-table; vertical-align: middle;"> <tr> <td style="padding-right: 10px;">+00</td> <td>mill finish</td> </tr> <tr> <td>+01</td> <td>anodised</td> </tr> <tr> <td>+02</td> <td>RAL + RAL-Nr.</td> </tr> </table>		+00	mill finish	+01	anodised	+02	RAL + RAL-Nr.	<table border="0" style="display: inline-table; vertical-align: middle;"> <tr> <td colspan="2" style="text-align: center;"><u>Nylon components</u></td> </tr> <tr> <td style="padding-right: 10px;">+00</td> <td>silver</td> </tr> <tr> <td>+01</td> <td>black</td> </tr> <tr> <td>+02</td> <td>brown</td> </tr> </table>	<u>Nylon components</u>		+00	silver	+01	black	+02	brown
+00	mill finish																
+01	anodised																
+02	RAL + RAL-Nr.																
<u>Nylon components</u>																	
+00	silver																
+01	black																
+02	brown																

Code



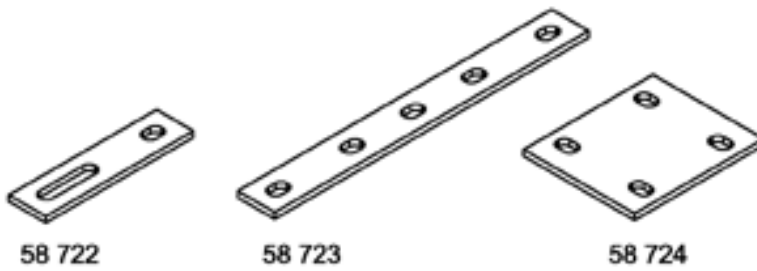
Edge pivot

75 300

Pack = 25

Kit

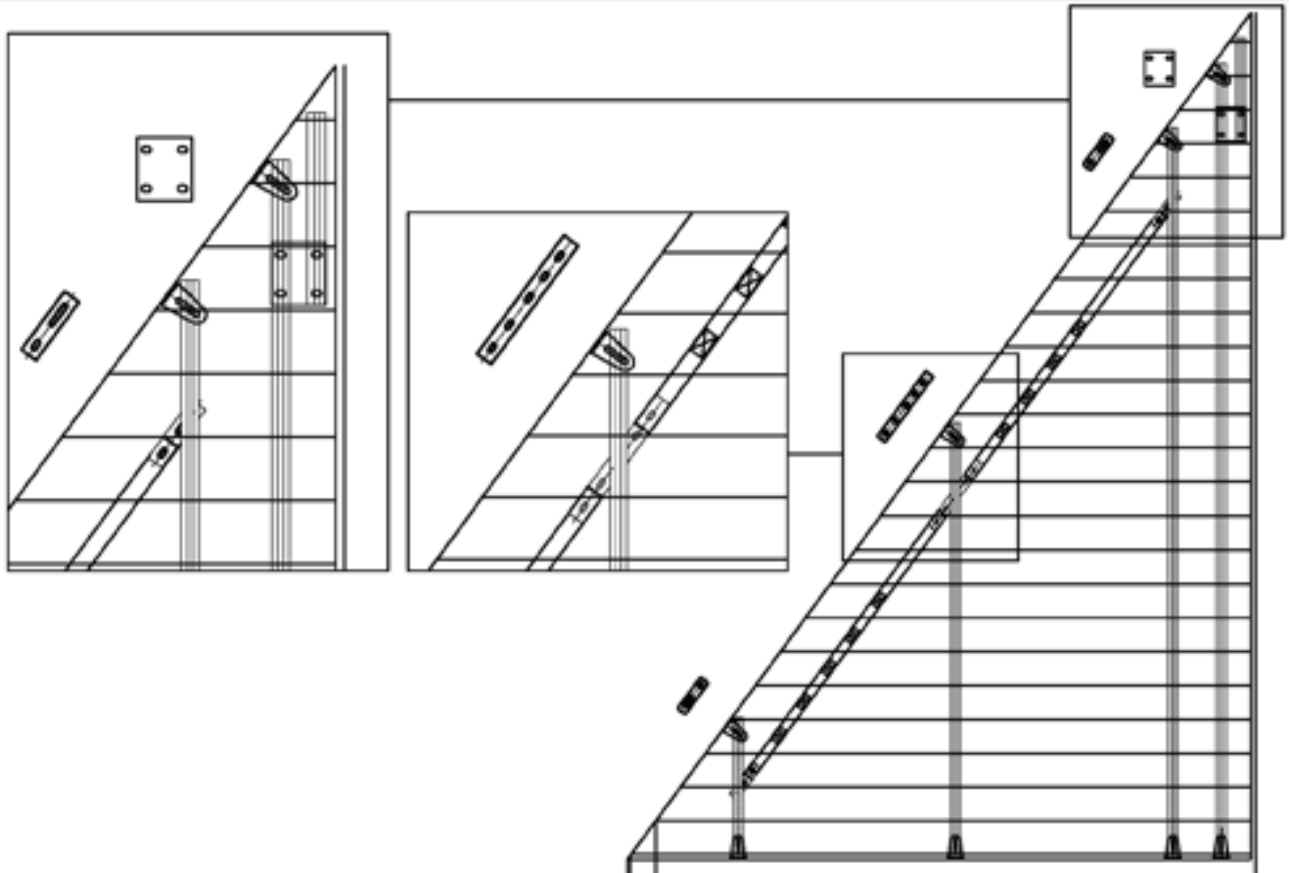
Fitting plates edge rack



58 722

58 723

58 724



add to : } Code ...

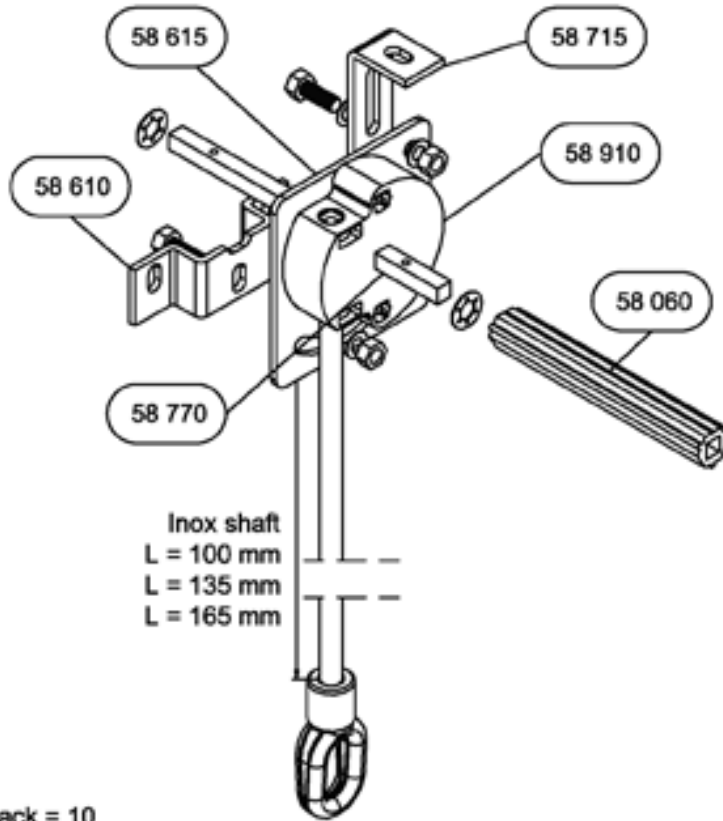
+00	mill finish
+01	anodised
+02	RAL 8024

Aluminium

Nylon components

+00	silver
+01	black
+02	brown

Code

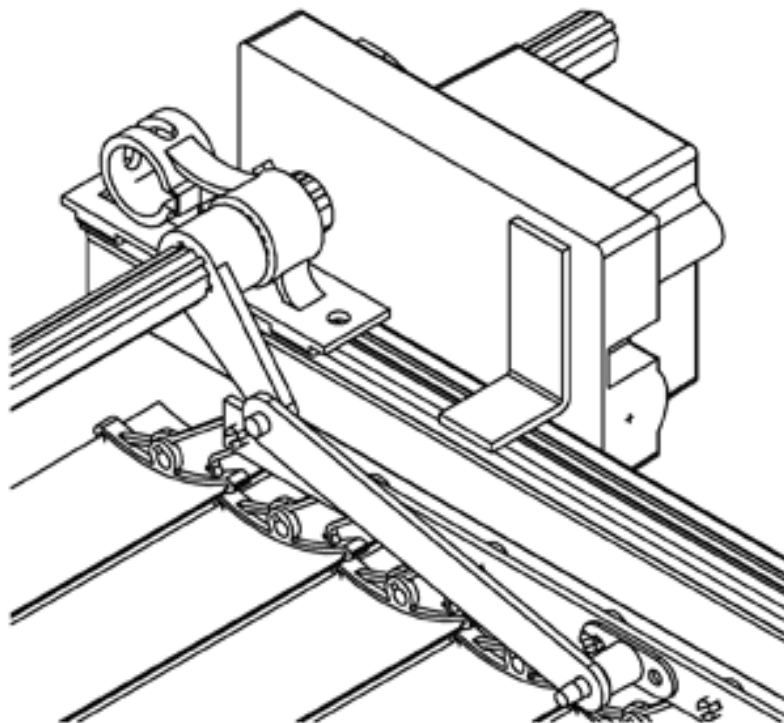


Gearbox 6:1

58 990

Pack = 10

Kit



Box motor

58 959

Motor 50 263, max. 6 m²

58 960

Motor 50 265, max. 16 m²

add to : } Code ...

+00	mill finish
+01	anodised
+02	RAL 8024

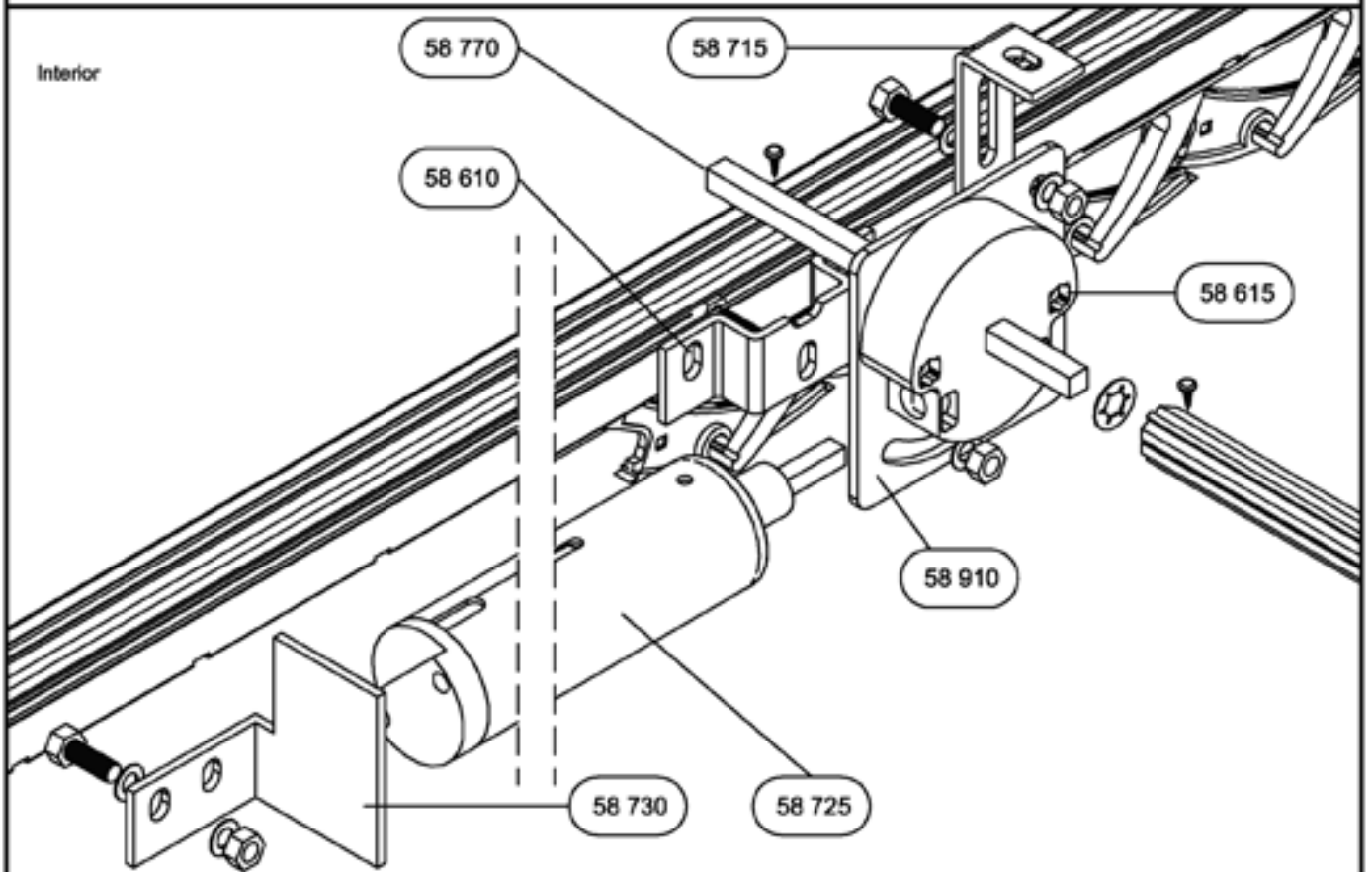
Aluminium

Nylon components

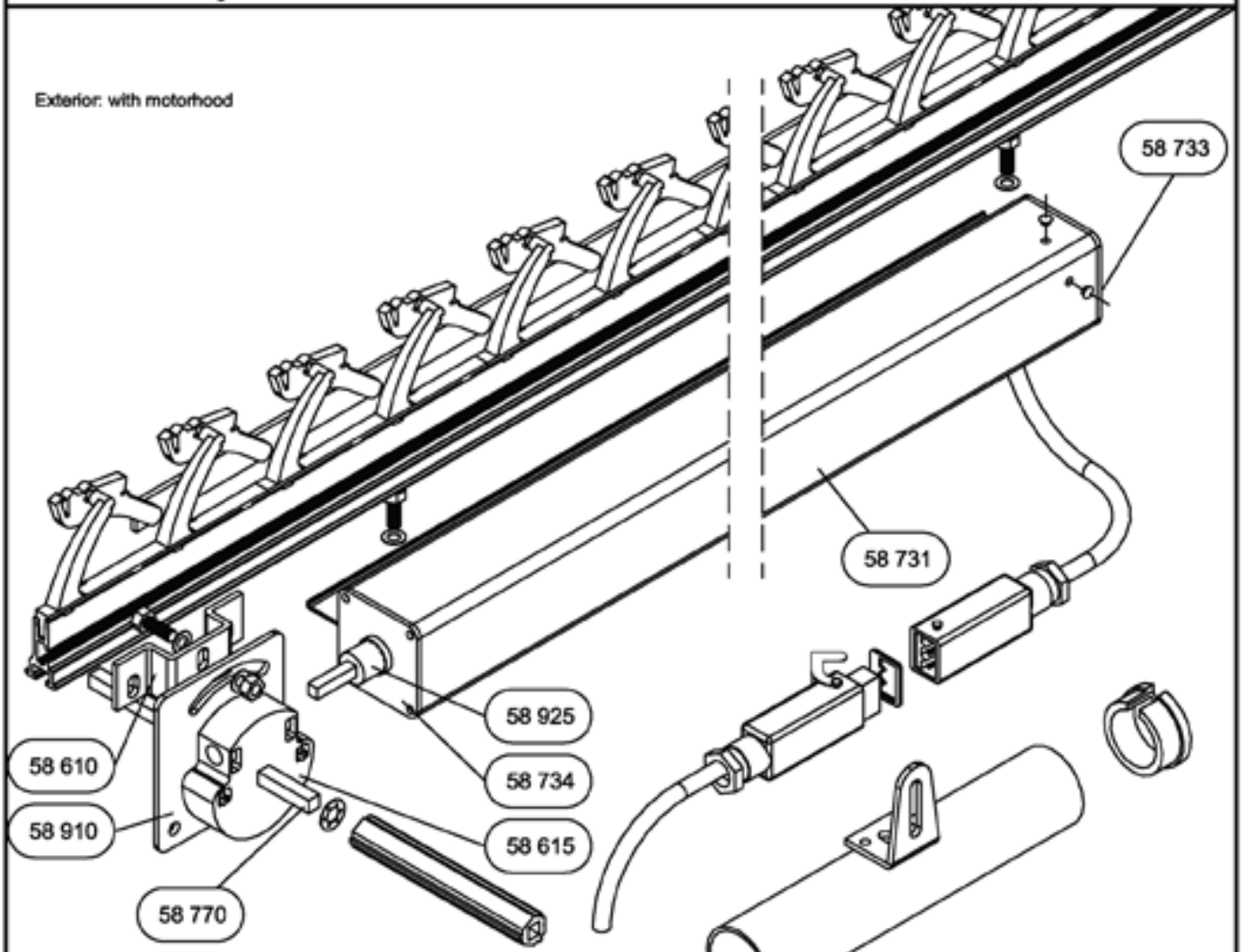
+00	silver
+01	black
+02	brown

horiso™ 75E

Interior



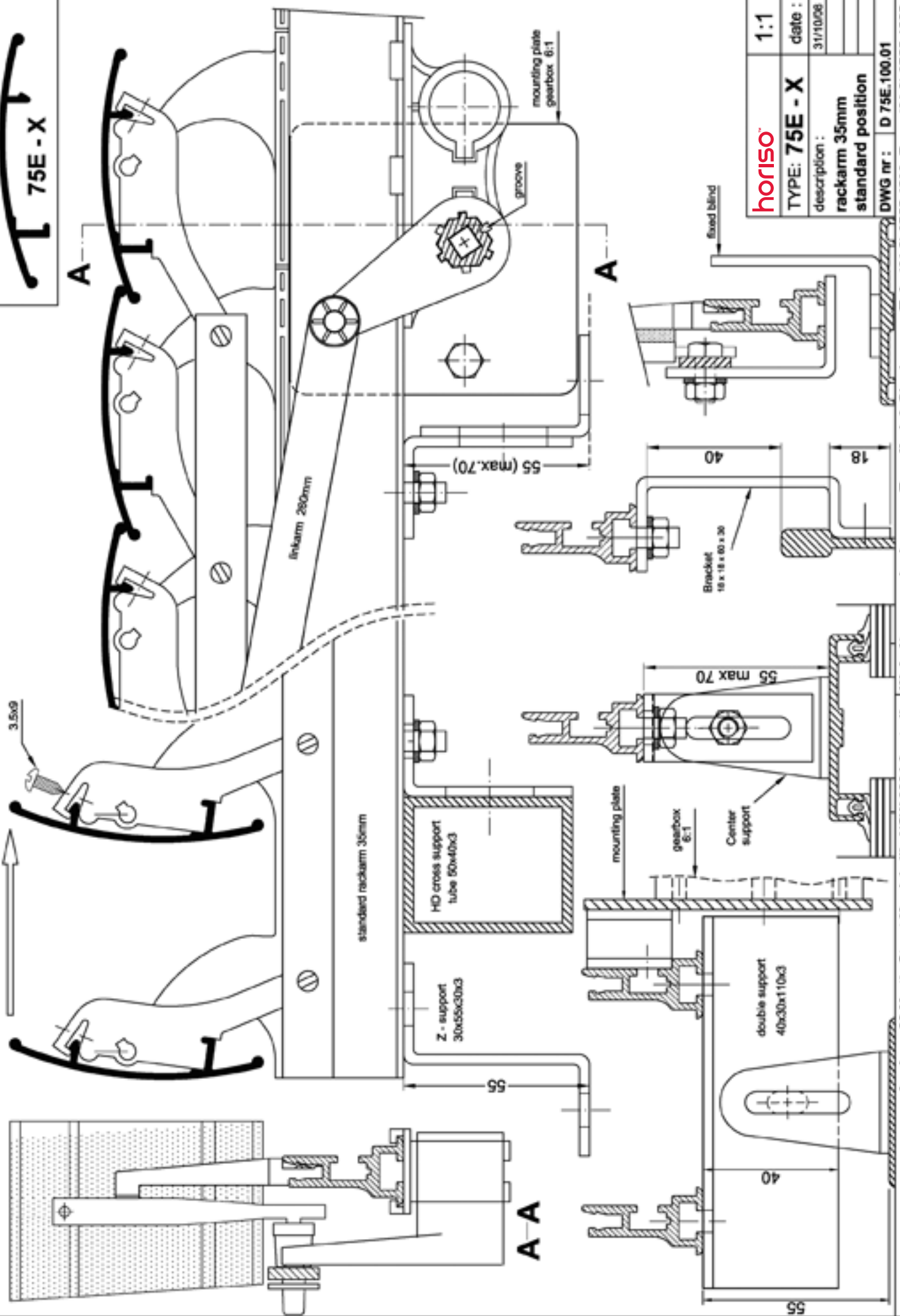
Exterior: with motorhood



CLOSING DIRECTION

EXTERIOR

75E - X



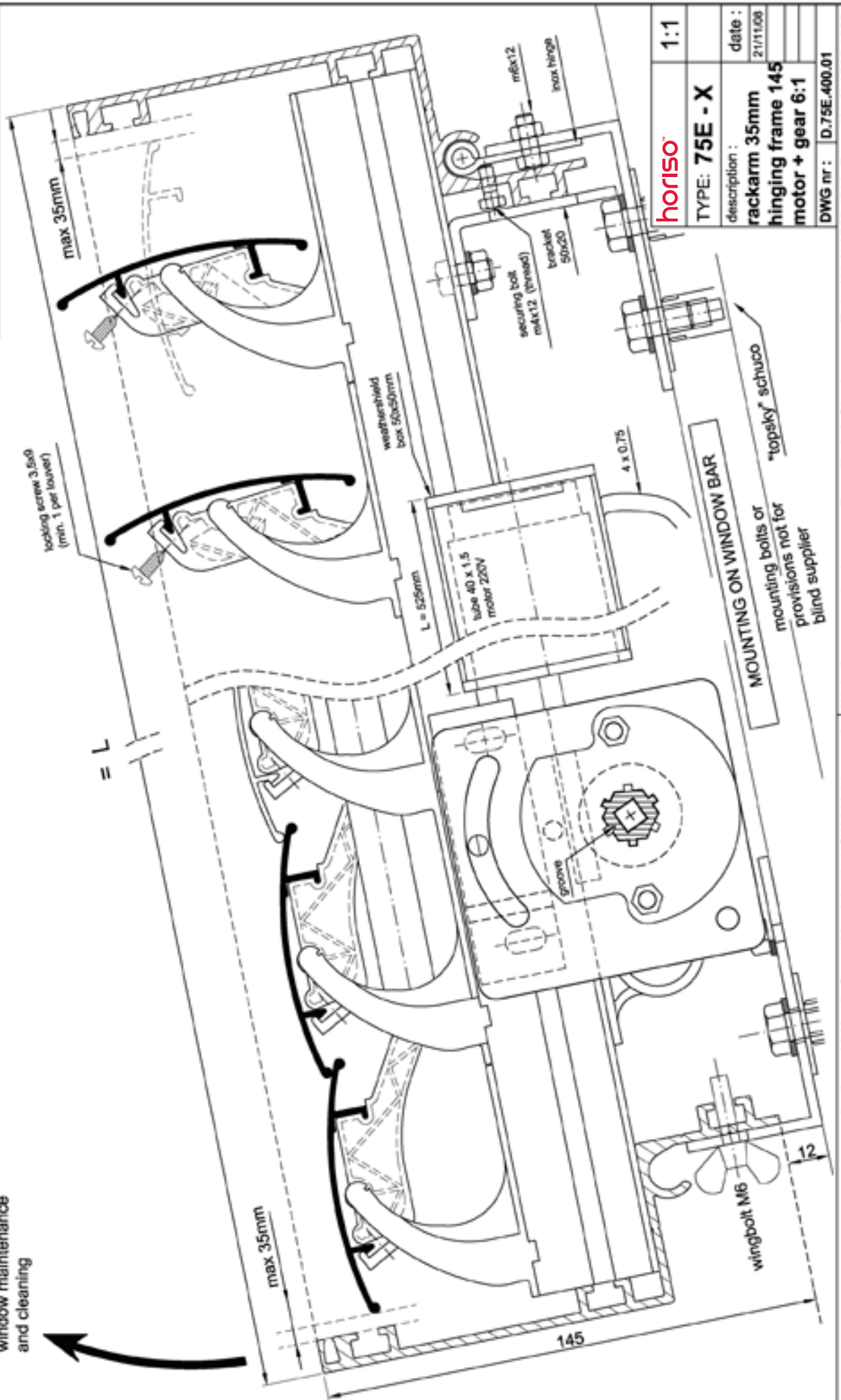
horiso

TYPE: 75E - X	scale: 1:1
description: rackarm 35mm standard position	date: 31/10/08
DWG nr: D 75E.100.01	

EXTERIOR

75E - X

hinging frame for window maintenance and cleaning



horiso

1:1

TYPE: 75E - X

description :
date :
21/11/08

rackarm 35mm
hinging frame 145
motor + gear 6:1

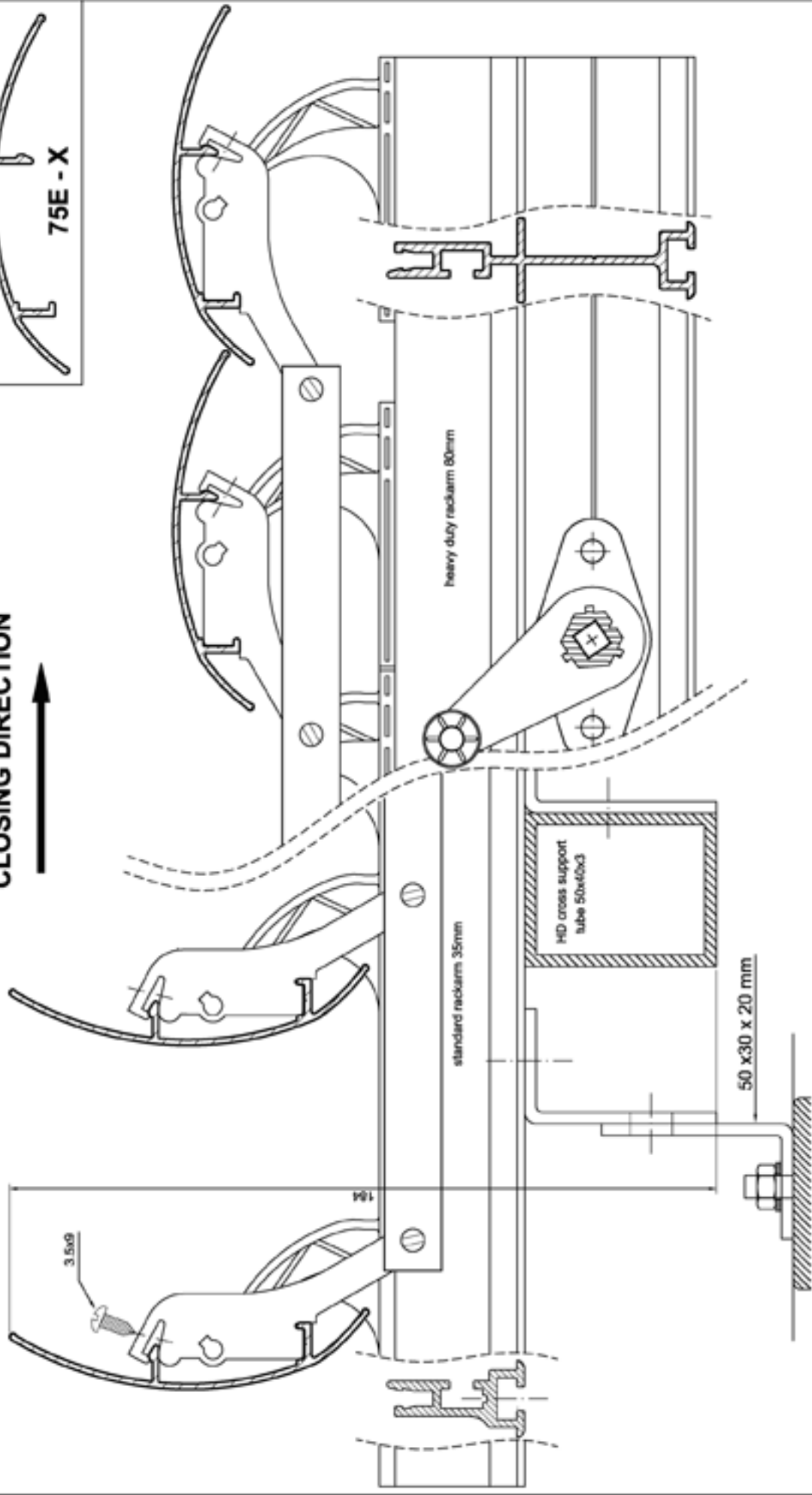
DWG nr : D.75E.400.01

horiso - 22 Myrtle Street Marrickville NSW 2204 Australia Website : www.horiso.com E-mail : info@horiso.com Tel : (61 2) 8755 4500 Fax : (61 2) 8755 4555

EXTERIOR

75E - X

CLOSING DIRECTION



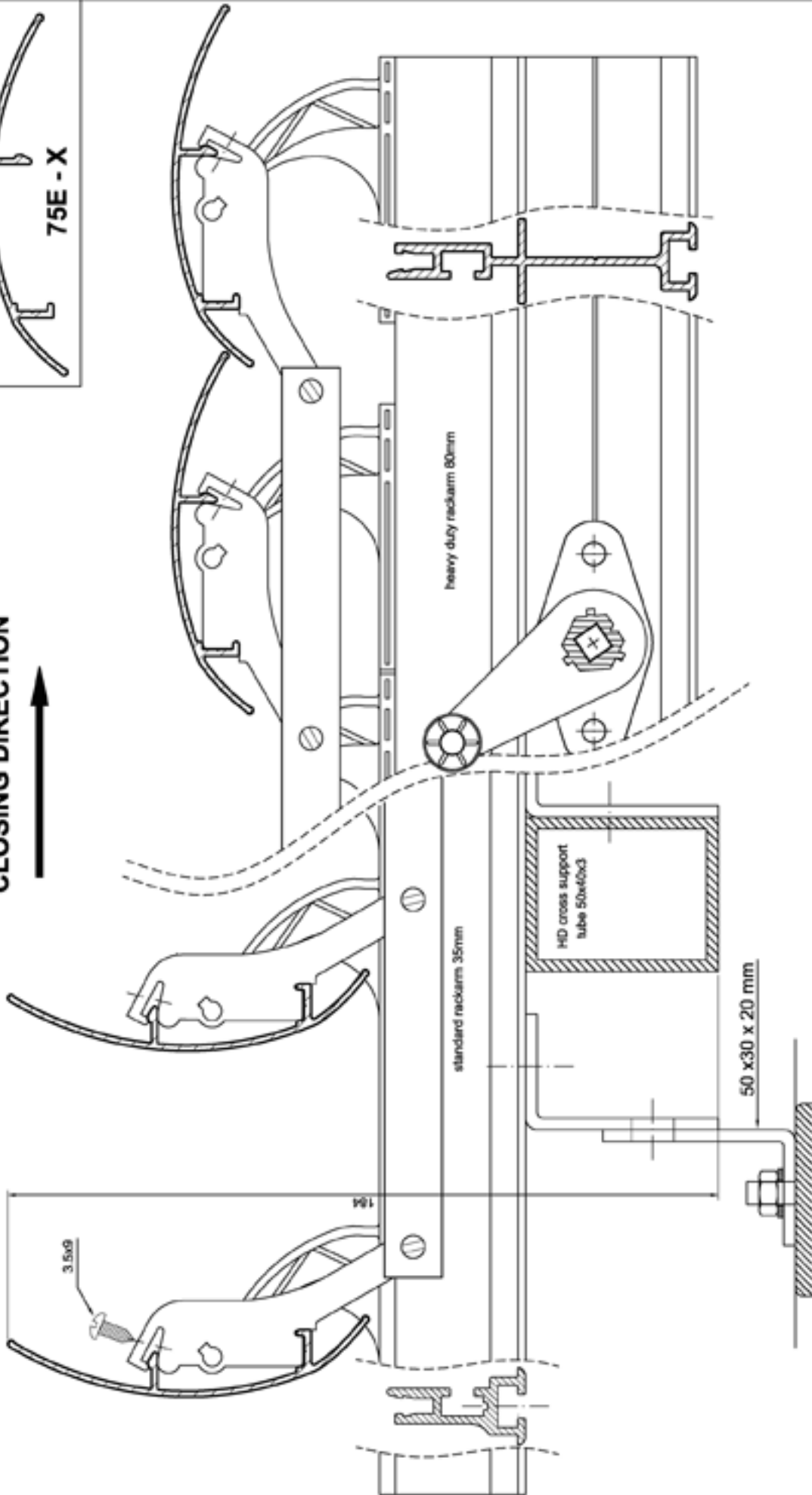
horiso

1:1	date :
TYPE: 75E - X	21/11/08
description :	
rackarm 35mm & HD 80mm	
standard position	
DWG nr :	D.95E.100.01

EXTERIOR

75E - X

CLOSING DIRECTION



horiso

1:1

TYPE: 75E - X

date :

21/11/08

description :
rackarm 35mm &
HD 80mm
standard position

DWG nr : D.95E.100.01

horiso - 22 Myrtle Street Marrickville NSW 2204 Australia Website : www.horiso.com E-mail : info@horiso.com Tel : (61 2) 8755 4500 Fax : (61 2) 8755 4555