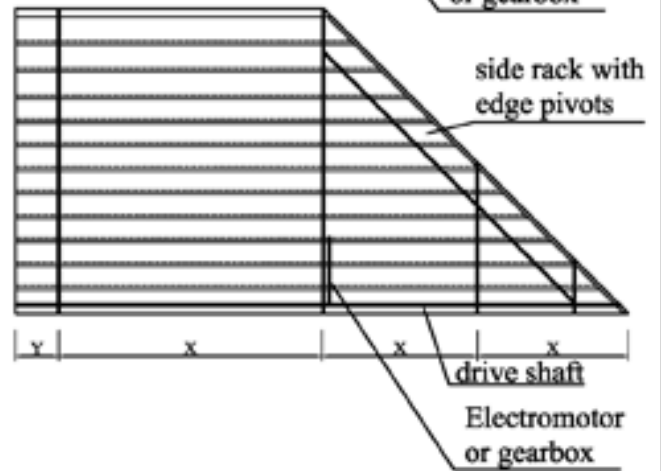
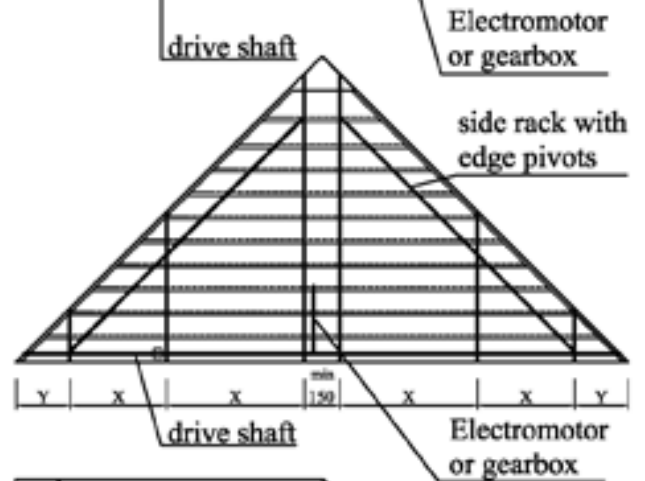
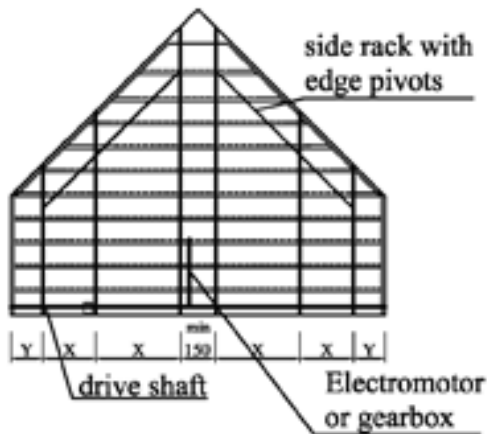
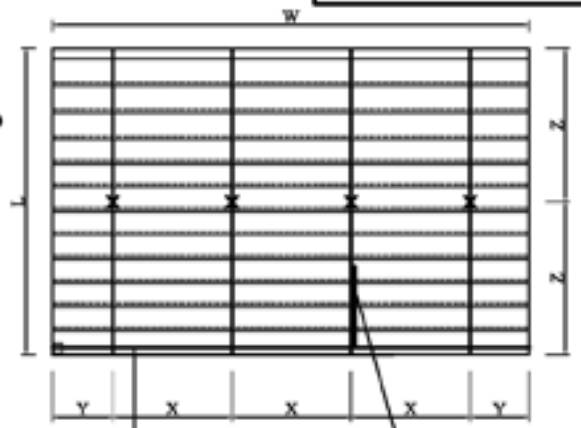
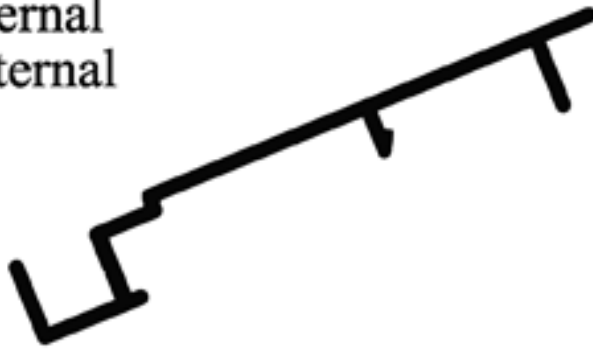
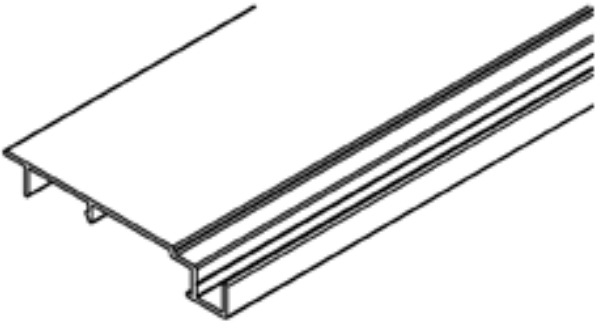





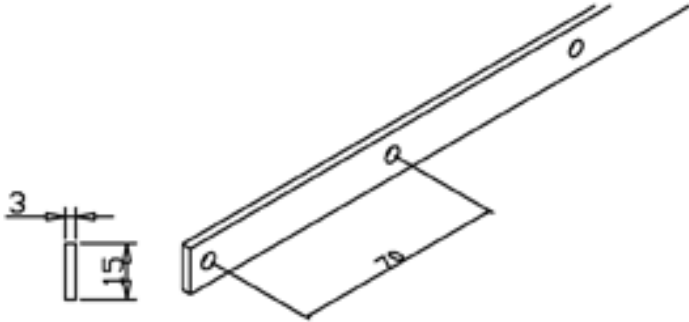
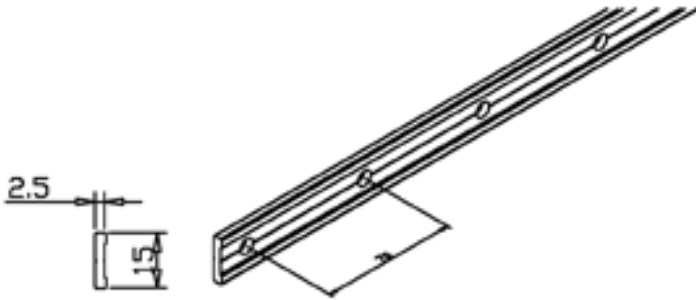
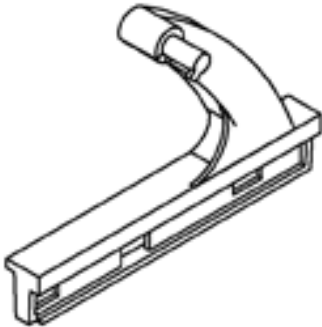
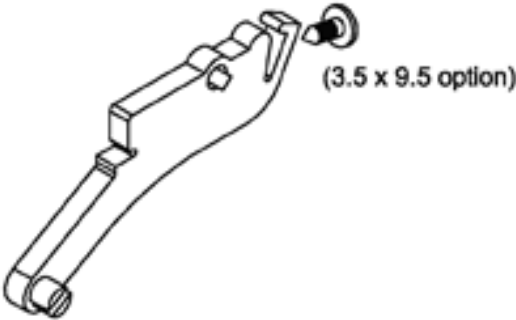
extruded louvres - black out  
Internal  
External



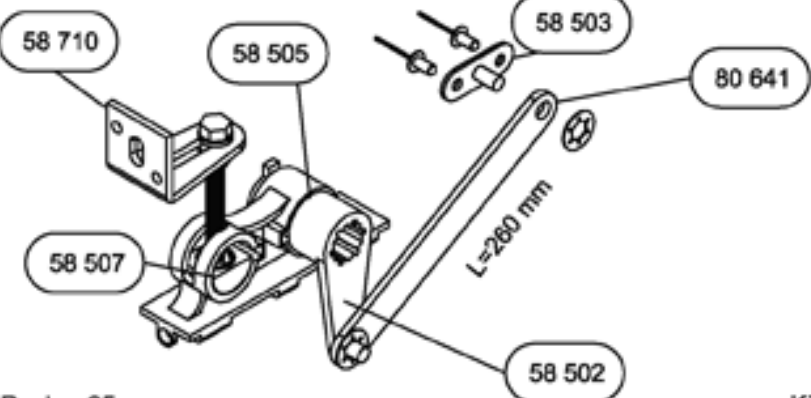
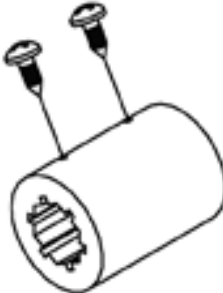
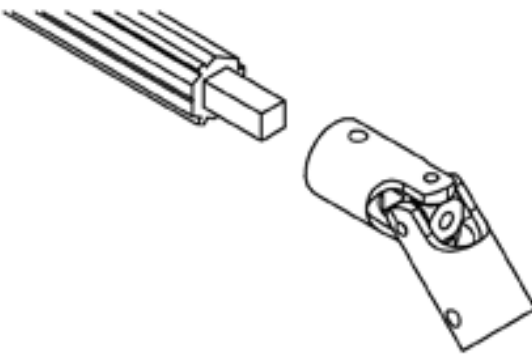
		horiso 88 E extruded slat	
		Internal	External
max. width	W	max. 500 cm	max. 450 cm
max. length	L	max. 400 cm	max. 350 cm
max. area			
gearbox 9rod & crank)		max. 16 m <sup>2</sup>	max. 12 m <sup>2</sup>
50220 230V tubular+gear 6:1		max. 12 m <sup>2</sup>	max. 14 m <sup>2</sup>
50263 230V compact motor		max. 6 m <sup>2</sup>	not applicable
50265 230V compact motor		max. 16 m <sup>2</sup>	not applicable
number of rack arms		220 cm = 2 pcs *	190 cm = 2 pcs
		221-360 cm = 3 pcs	191-320 cm = 3 pcs
		361-500 cm = 4 pcs	321-450 cm = 4 pcs
		501-600 cm = 5 pcs	451-580 cm = 5 pcs
			581-600 cm = 6 pcs
rack arm distance	X	140 cm *	130 cm
slat side overhang	Y	40 cm	30 cm
support distance	Z		
st. rack arm 35 mm		180 cm	120 cm
hd. rack arm 80 mm		300 cm	250 cm



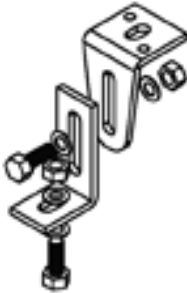
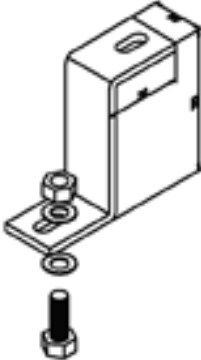
\* for optimal light enclosure  
100 cms is recommended

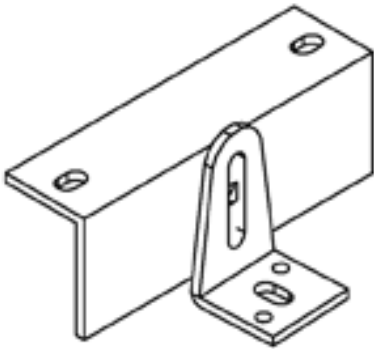
Code																
00 088	 <p>L = 5000 / 6000 mm at availability</p>	Louvre 88E (extruded)														
75 000	 <p>L = 6000 mm</p>	Rack arm assembly														
75 080	 <p>L = 6000 mm</p>	Rack arm assembly (heavy duty)														
88 825	 <p>L = 3000 mm 21mm</p>	Brushes ( black out)														
<b>PARTS AND EXTRUSIONS AS PER 75E</b>																
add to	: } Code ... <table border="0" style="margin-left: 20px;"> <tr> <td>+00</td> <td>mill finish</td> </tr> <tr> <td>+01</td> <td>anodised</td> </tr> <tr> <td>+02</td> <td>RAL + RAL-Nr.</td> </tr> </table>	+00	mill finish	+01	anodised	+02	RAL + RAL-Nr.	<table border="0" style="margin-left: 20px;"> <tr> <td colspan="2" style="text-align: center;"><b>Nylon components</b></td> </tr> <tr> <td>+00</td> <td>silver</td> </tr> <tr> <td>+01</td> <td>black</td> </tr> <tr> <td>+02</td> <td>brown</td> </tr> </table>	<b>Nylon components</b>		+00	silver	+01	black	+02	brown
+00	mill finish															
+01	anodised															
+02	RAL + RAL-Nr.															
<b>Nylon components</b>																
+00	silver															
+01	black															
+02	brown															


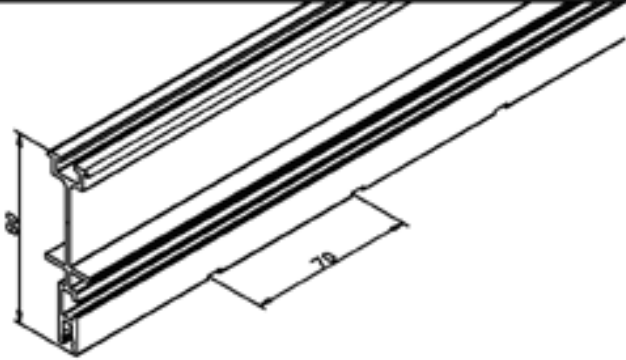
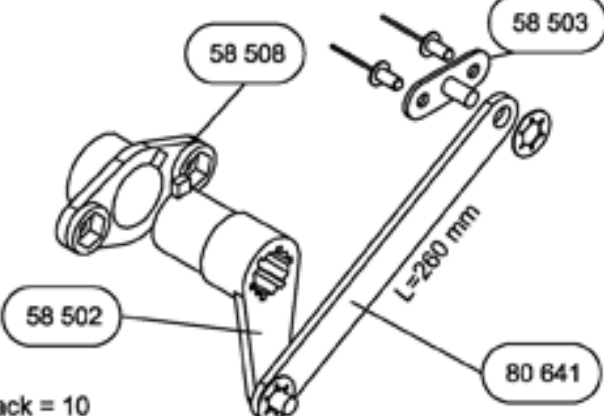
Code			
80 153	 <p>Pack = 10 x 6000 mm</p>	Operating strip (standard)	15 x 3 mm
80 152	 <p>Pack = 10 x 6000 mm</p>	Operating strip (Powder coating)	15 x 2,5 mm
88 200	 <p>pack = 1000</p>	Pivot arm	
88 100	 <p>pack = 1000</p>	Slet clip	

add to	}	<b>Aluminium</b>	<b>Nylon components</b>
		Code ...    +00 mill finish +01 anodised +02 RAL + RAL-Nr.	+00 silver +01 black +02 brown

Code		Bearing bracket assy			
88 360	Pack = 25	Kit			
58 540		Shaft coupler			
	Pack = 10	38 x 28 mm			
58 905		Universal joint			
add to	pack = 5	<table border="0"> <tr> <td data-bbox="288 1971 414 2105">           Code ...         </td> <td data-bbox="414 1971 989 2105"> <b>Aluminium</b>            +00 mill finish            +01 anodised            +02 RAL + RAL-Nr.         </td> <td data-bbox="989 1971 1145 2105"> <b>Nylon components</b>            +00 silver            +01 black            +02 brown         </td> </tr> </table>	Code ...	<b>Aluminium</b> +00 mill finish +01 anodised +02 RAL + RAL-Nr.	<b>Nylon components</b> +00 silver +01 black +02 brown
Code ...	<b>Aluminium</b> +00 mill finish +01 anodised +02 RAL + RAL-Nr.	<b>Nylon components</b> +00 silver +01 black +02 brown			

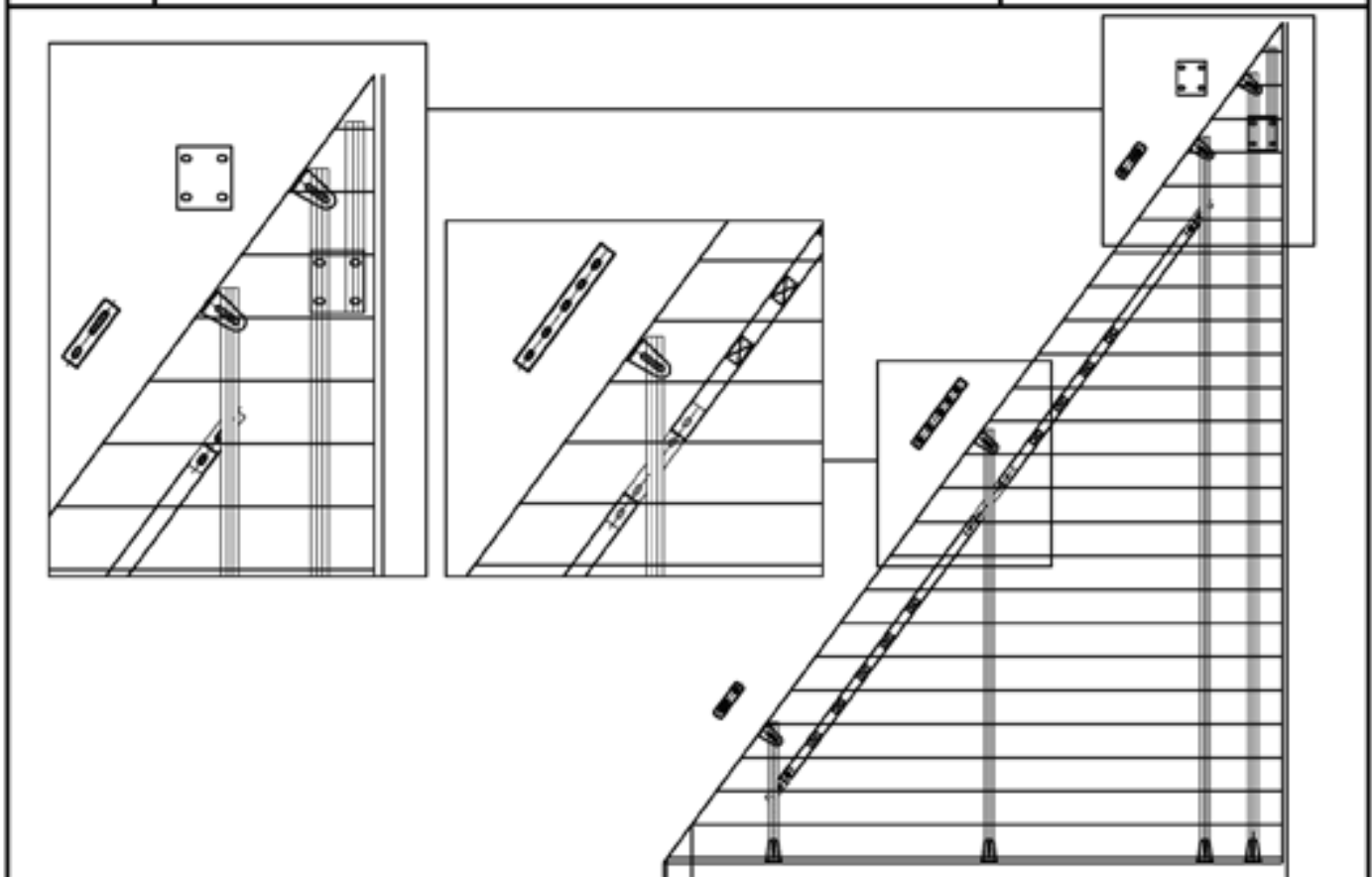
Code			Angle bracket 50x30
58 710	pack = 100	50x30x30x3	
			
58 715	pack = 100	50x30x20x3	Angle bracket 50x20
			
58 720	pack = 25	kit	Centre support, (kit)
			
58 706	pack = 25	kit	Z - support 55
			
add to	} Code .. ... +00 mill finish +01 anodised +02 RAL + RAL-Nr.	<b>Aluminium</b>	} <b>Nylon components</b> +00 silver +01 black +02 brown

Code			Double support
58 718	pack = 10	40 x 30 x 3 x 110	
00 403	L = 6000	40 x 30 x 3	Cross angle 40x30
00 504	L = 6000	50 x 40 x 3	Cross bar 50x40
add to	: } Code ... <b>Aluminium</b> +00 mill finish +01 anodised +02 RAL + RAL-Nr.		} <b>Nylon components</b> +00 silver +01 black +02 brown

Code		Rack arm assembly (heavy duty)														
75 080	L = 6000 mm															
58 020		Rack arm extrusion (heavy duty)														
80 355		Bearing bracket (heavy duty)														
	Pack = 5 x 6000 mm	Kit														
add to	Code .. ... <table border="0" style="display: inline-table; vertical-align: middle;"> <tr> <td>+00</td> <td>mill finish</td> </tr> <tr> <td>+01</td> <td>anodised</td> </tr> <tr> <td>+02</td> <td>RAL + RAL-Nr.</td> </tr> </table>	+00	mill finish	+01	anodised	+02	RAL + RAL-Nr.	<table border="0" style="display: inline-table; vertical-align: middle;"> <tr> <td colspan="2"><b><u>Nylon components</u></b></td> </tr> <tr> <td>+00</td> <td>silver</td> </tr> <tr> <td>+01</td> <td>black</td> </tr> <tr> <td>+02</td> <td>brown</td> </tr> </table>	<b><u>Nylon components</u></b>		+00	silver	+01	black	+02	brown
+00	mill finish															
+01	anodised															
+02	RAL + RAL-Nr.															
<b><u>Nylon components</u></b>																
+00	silver															
+01	black															
+02	brown															

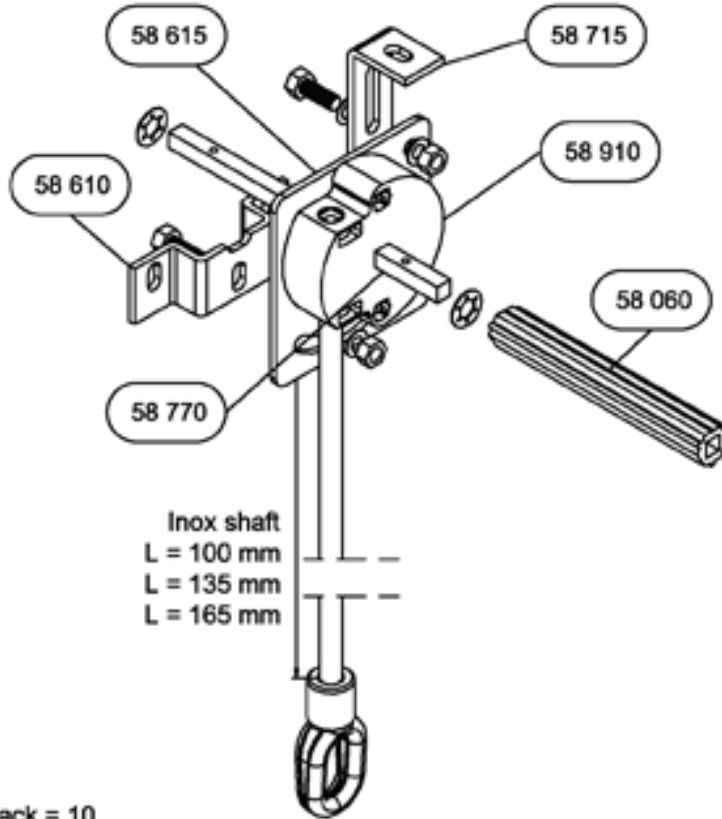
<b>Code</b>	<p>4,8 x 25 Inox</p>	<b>Edge pivot</b>
75 300	Pack = 25	Kit

	<p>58 722      58 723      58 724</p>	<b>Fitting plates edge rack</b>
--	---------------------------------------	---------------------------------



<b>add to</b>	} Code ...	<b>Aluminium</b>	<b>Nylon components</b>
		+00 mill finish +01 anodised +02 RAL 8024	+00 silver +01 black +02 brown

Code

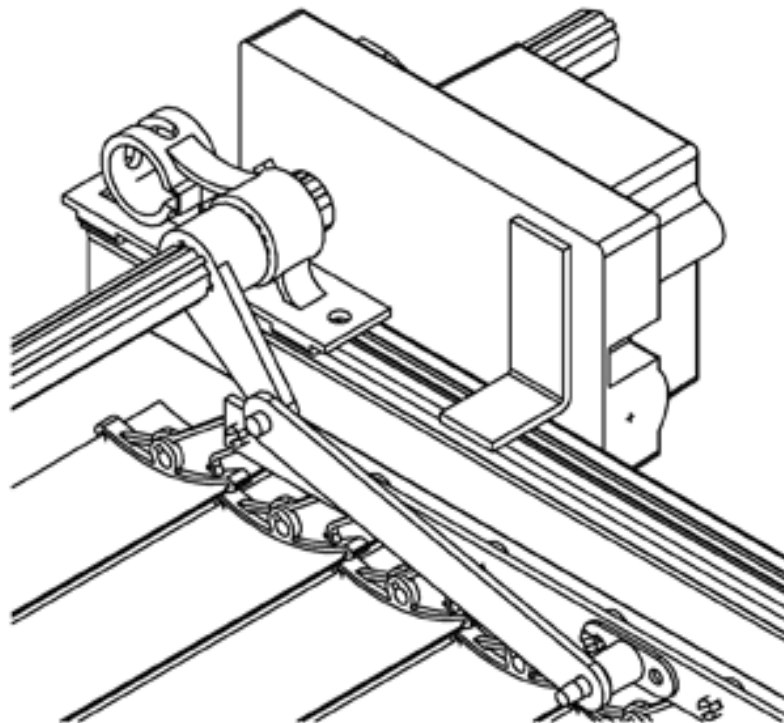


Gearbox 6:1

58 990

Pack = 10

Kit



Box motor

58 959

Motor 50 263, max. 6 m<sup>2</sup>

58 960

Motor 50 265, max. 16 m<sup>2</sup>

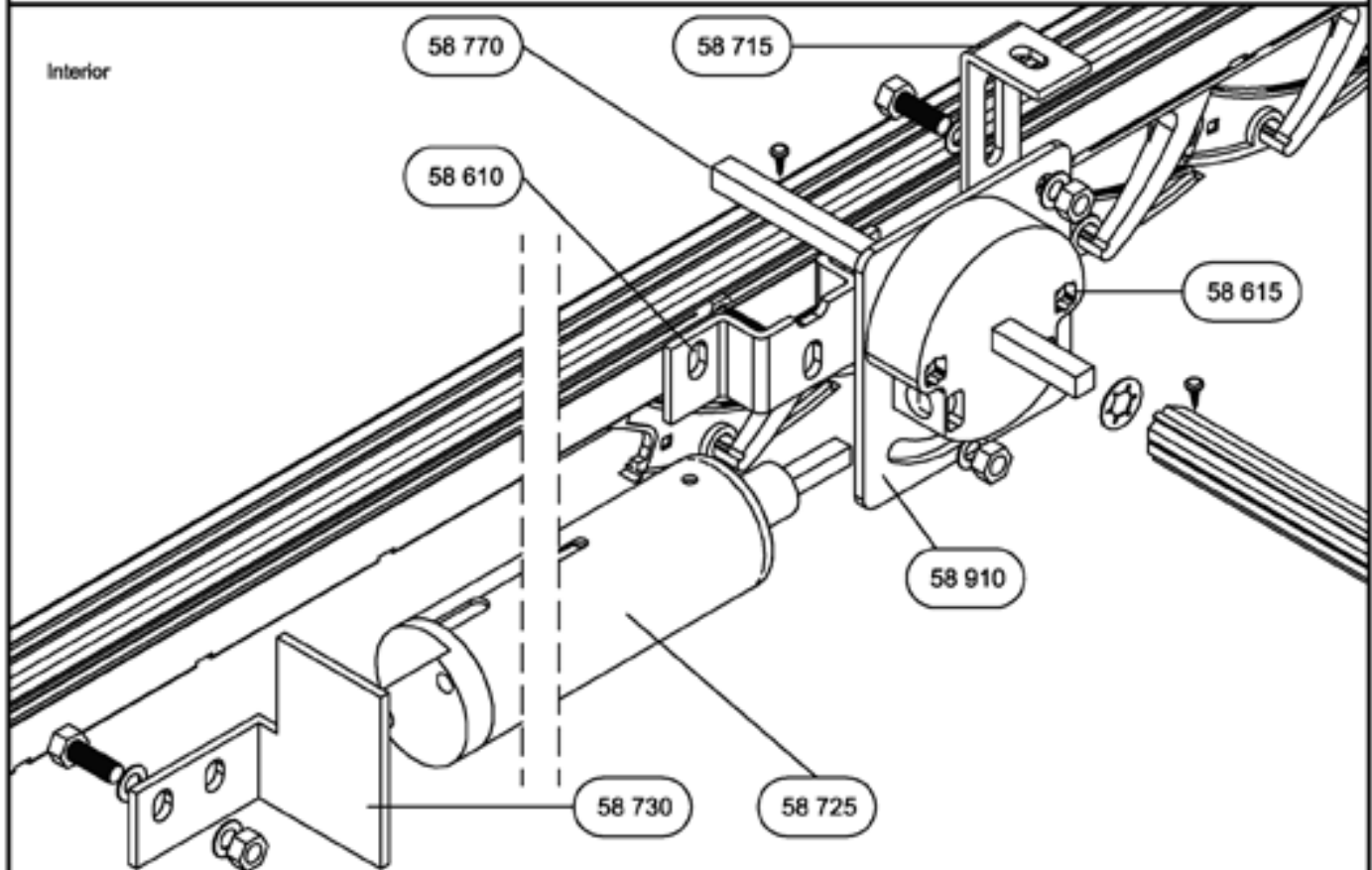
add to : } Code ... ..  
 +00 mill finish  
 +01 anodised  
 +02 RAL 8024

**Aluminium**

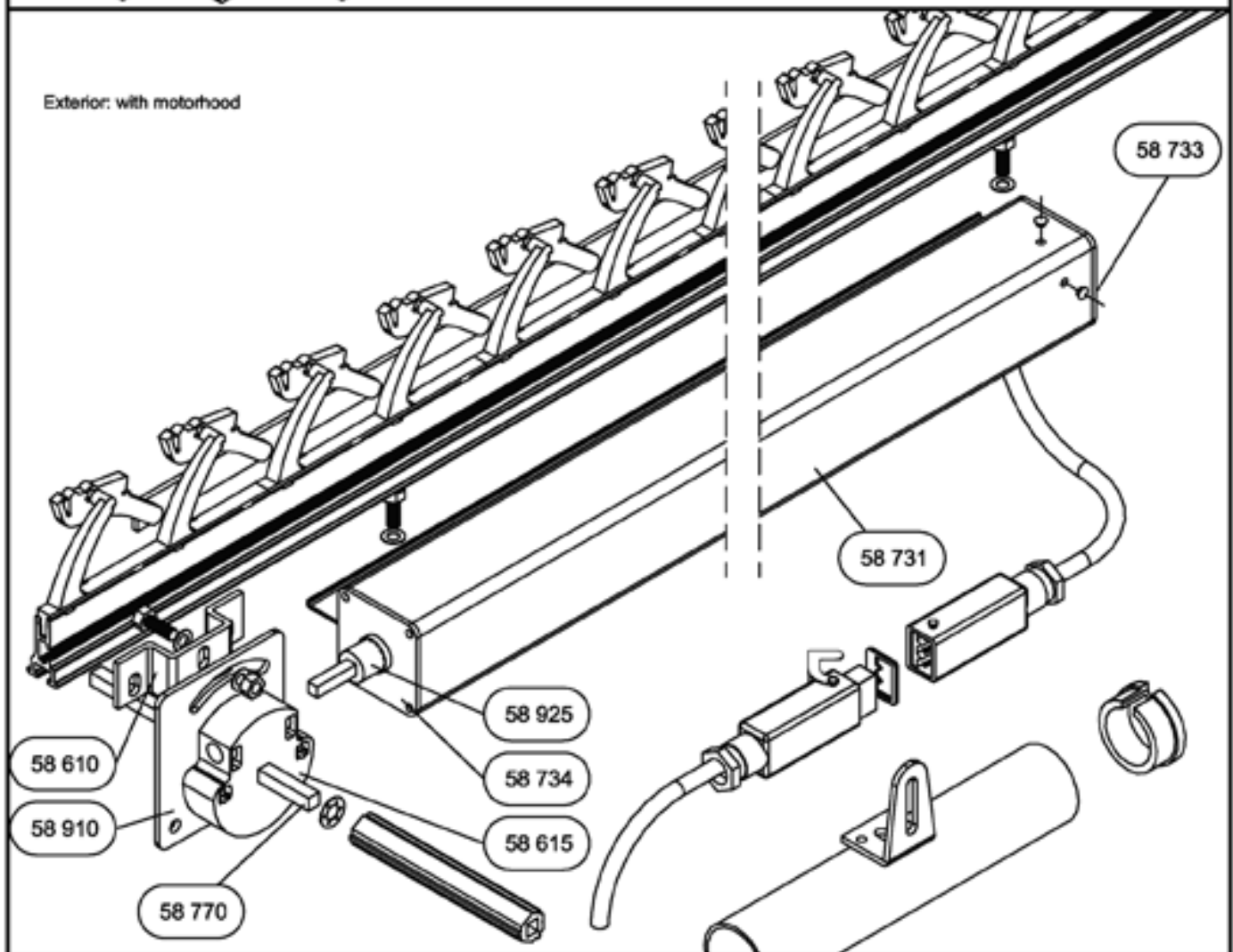
**Nylon components**

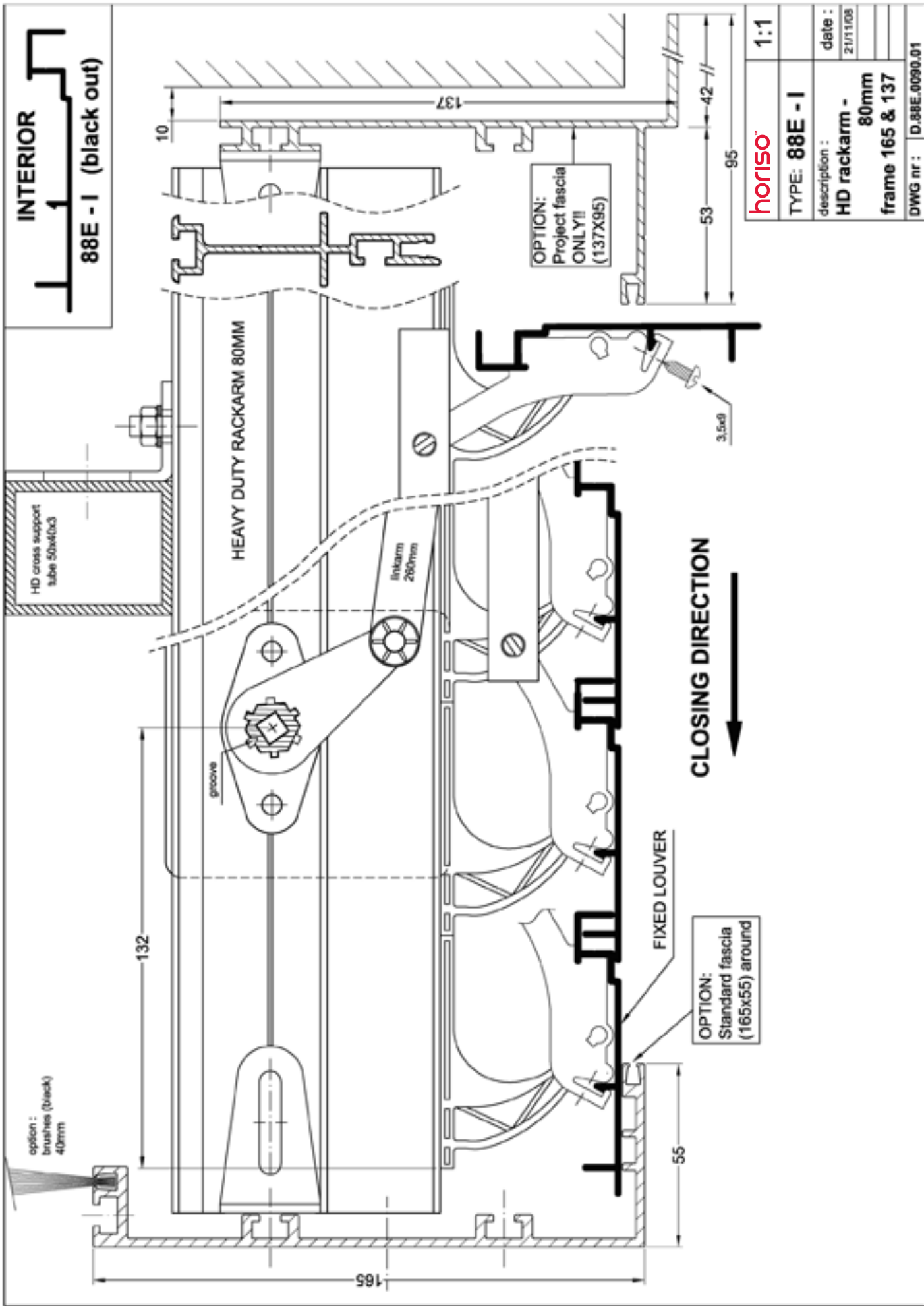
+00 silver  
 +01 black  
 +02 brown

Interior

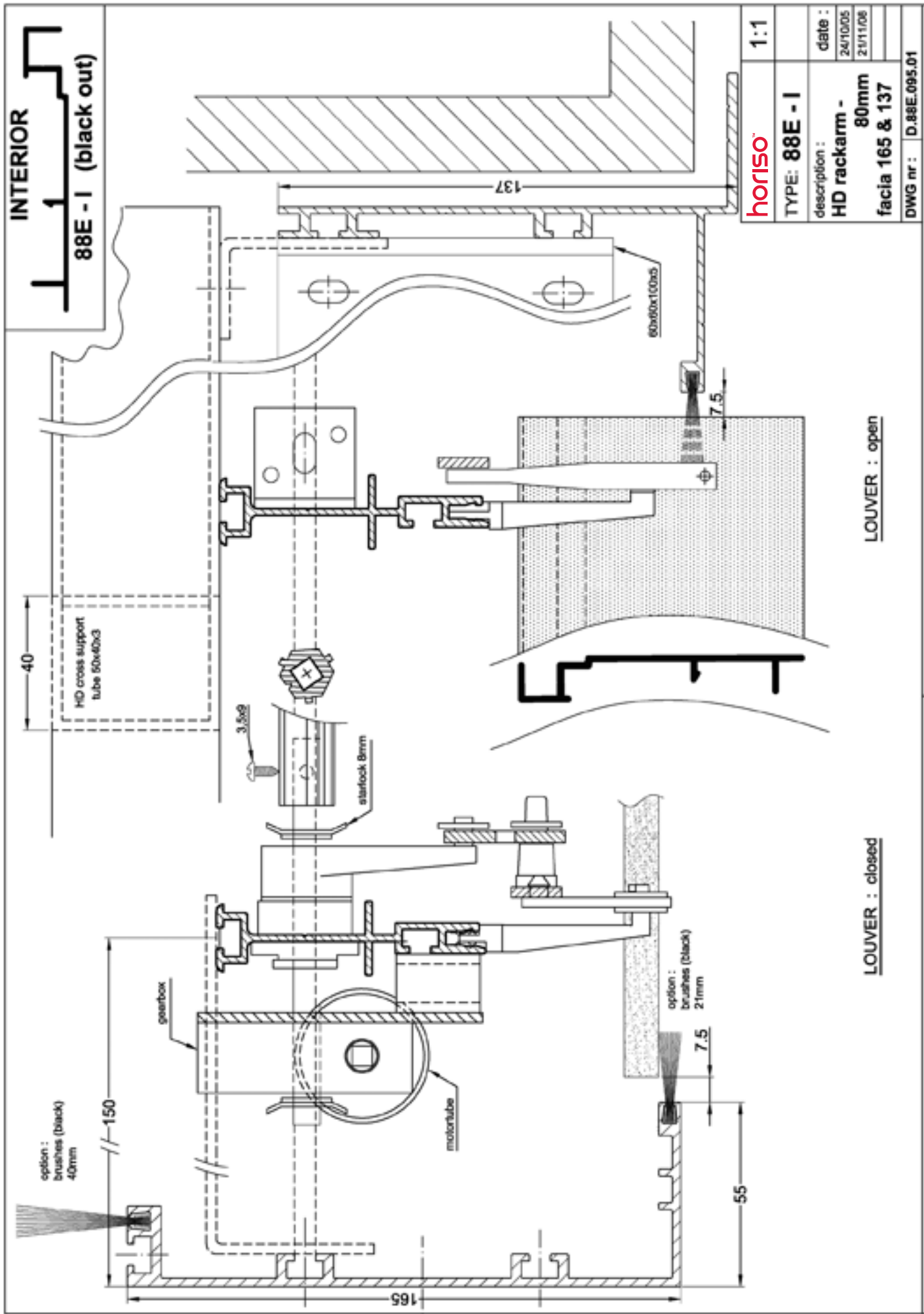


Exterior: with motorhood





horiso - 22 Myrtle Street Marrickville NSW 2204 Australia Website : www.horiso.com E-mail : info@horiso.com Tel : (61 2) 8755 4500 Fax : (61 2) 8755 4555



**INTERIOR**  
**88E - I (black out)**

<b>horiso</b>		<b>1:1</b>
<b>TYPE: 88E - I</b>		
description : <b>HD rackarm - 80mm</b> <b>facia 165 &amp; 137</b>		date : 24/10/05 21/11/06
DWG nr : <b>D.88E.095.01</b>		

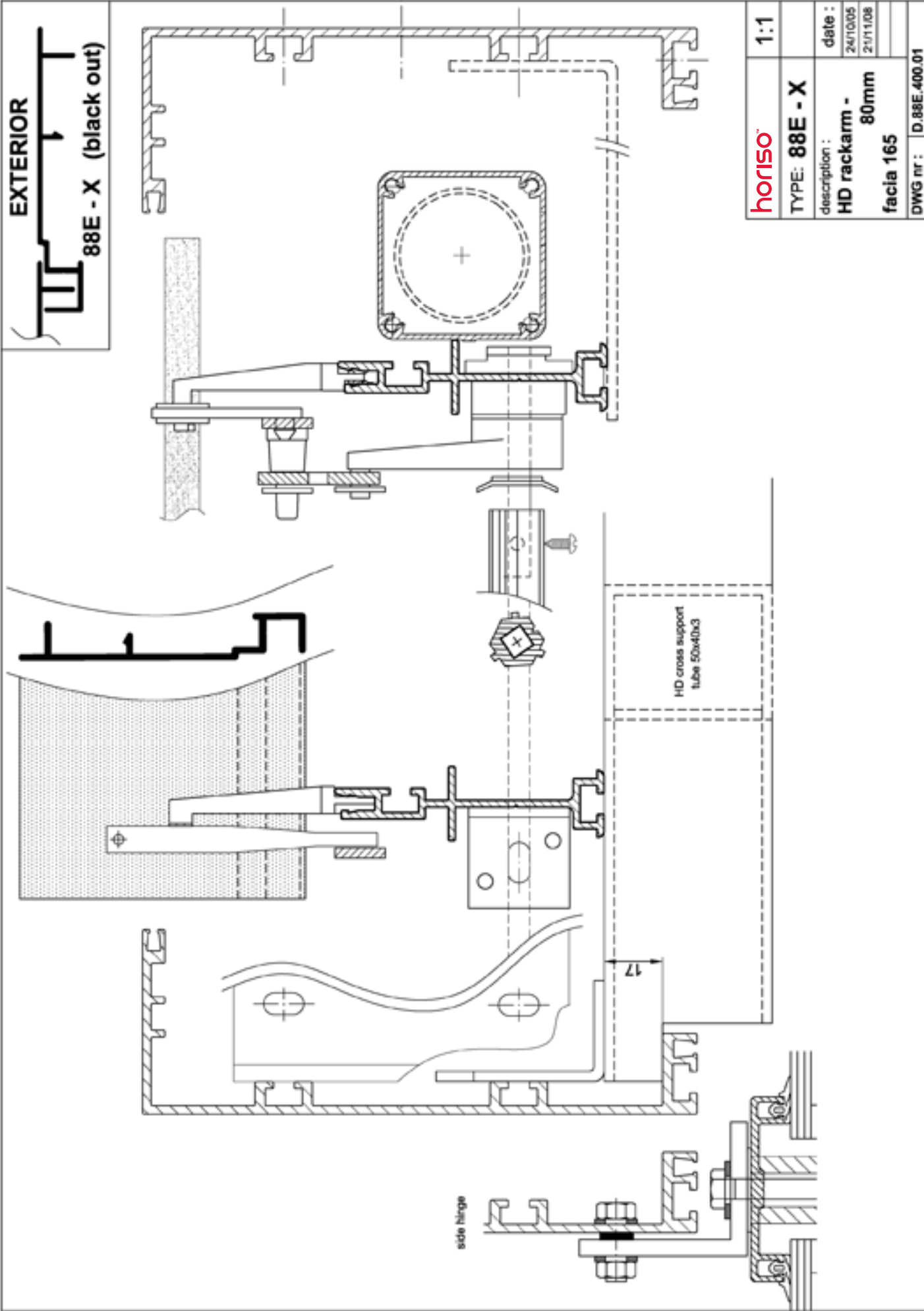
LOUVER : open

LOUVER : closed

horiso - 22 Myrtle Street Marrickville NSW 2204 Australia Website : www.horiso.com E-mail : info@horiso.com Tel : (61 2) 8755 4500 Fax : (61 2) 8755 4555

EXTERIOR

88E - X (black out)



<b>horiso</b>	1:1
<b>TYPE: 88E - X</b>	
description:	date :
<b>HD rackarm - 80mm</b>	24/10/05
<b>facia 165</b>	21/11/08
DWG nr :	D.88E.400.01

