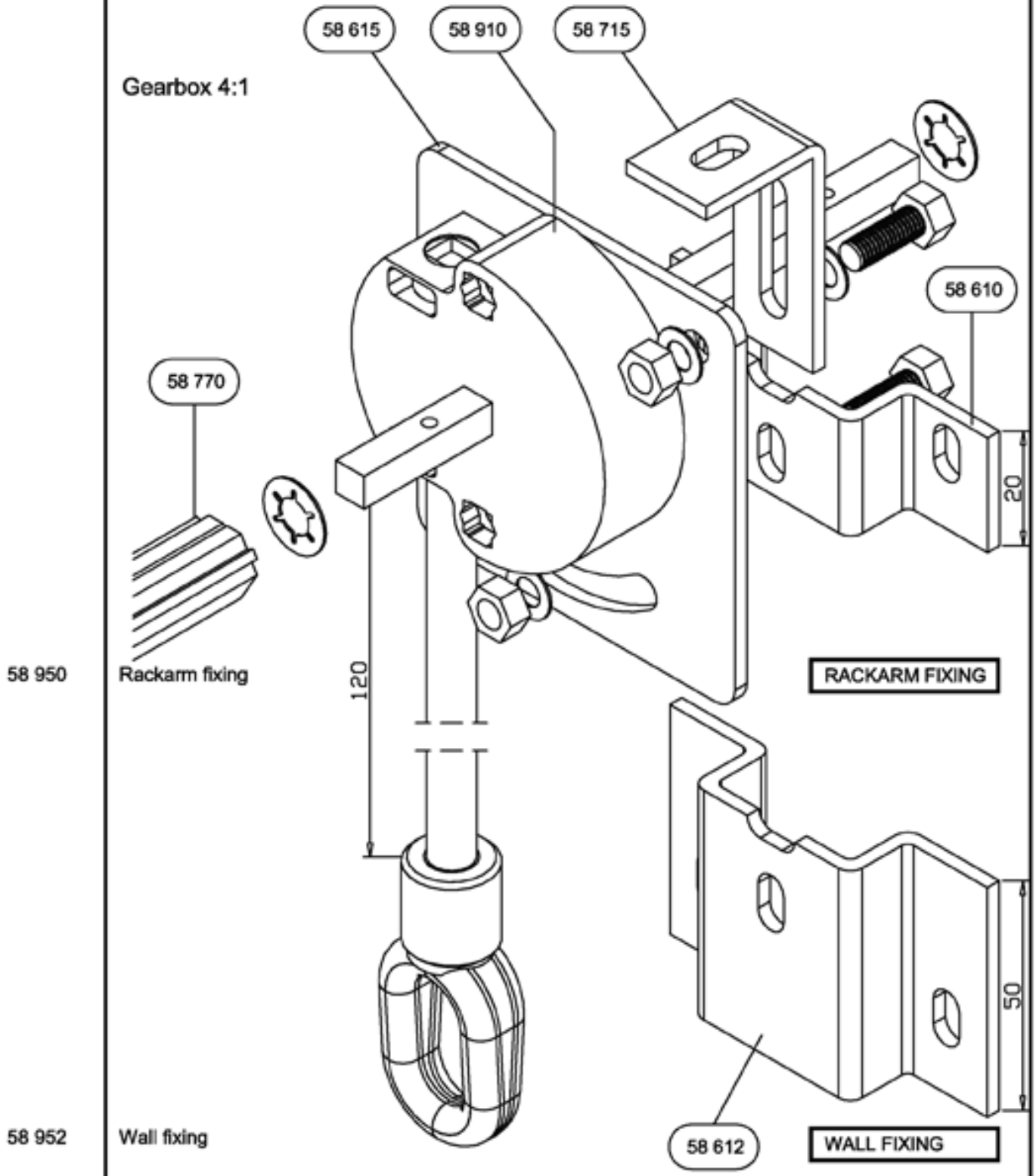


Code

# INTERNAL

Gearbox 4:1



add to

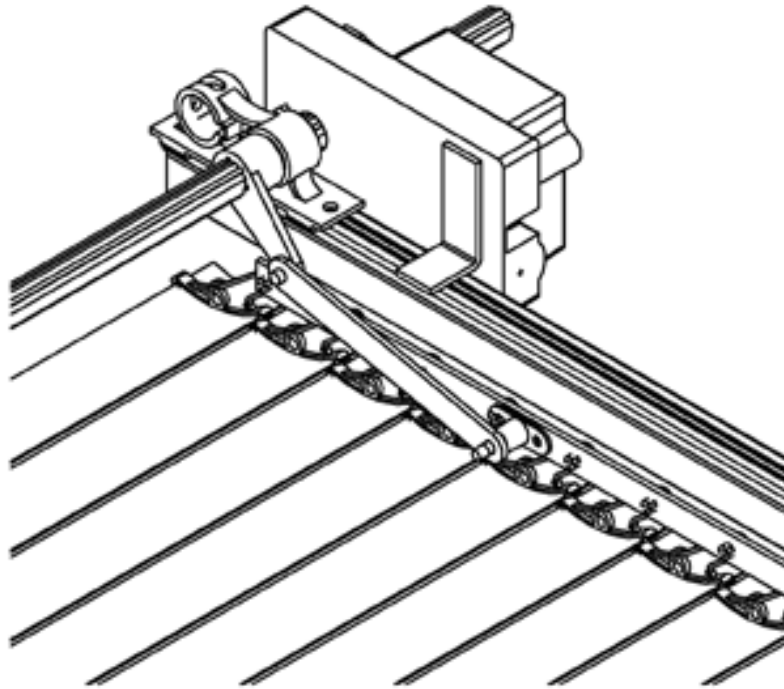
:

Code ...

+00 mill finish  
+01 anodised

Code

Box motor



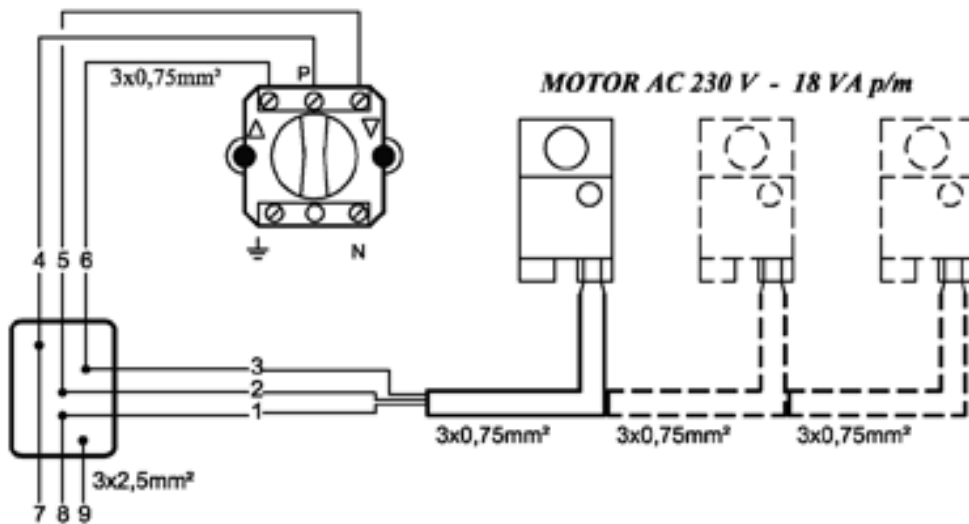
58 959

Motor 50 263, max. 6 m<sup>2</sup>

58 960

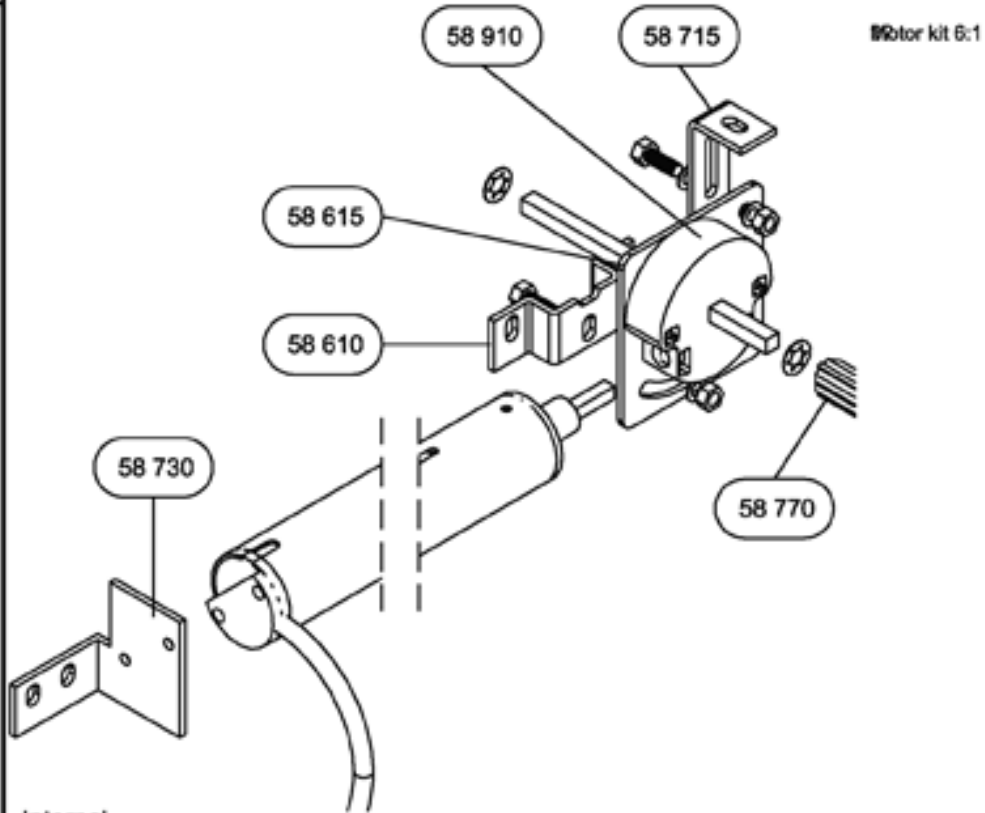
Motor 50 265, max. 16 m<sup>2</sup>

Wiring diagram



- 1 = Blue
- 2 = Brown
- 3 = White
- 4 = Brown
- 5 = Black 1
- 6 = Black 2
- 7 = Brown
- 8 = Blue
- 9 = Yellow/Green

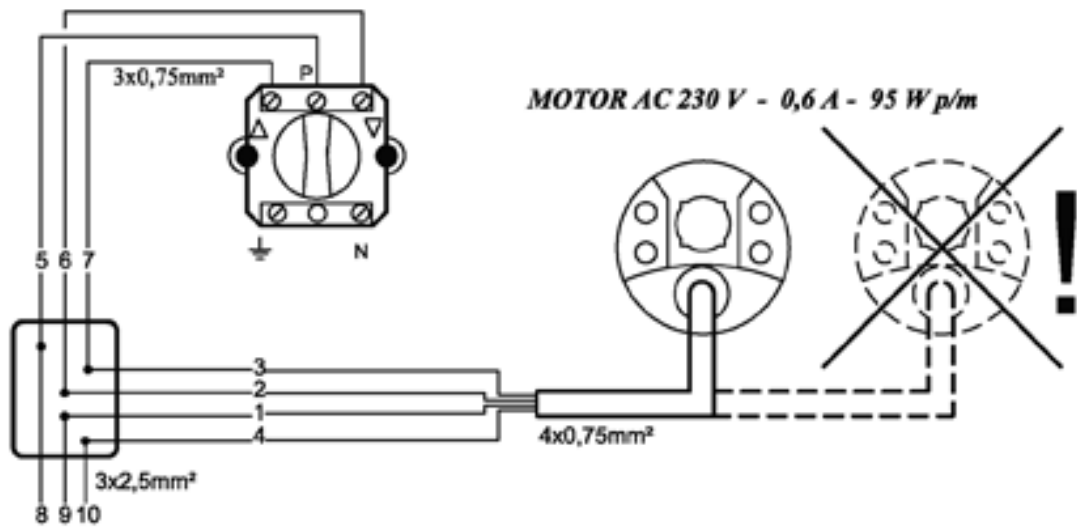
Code



58 995

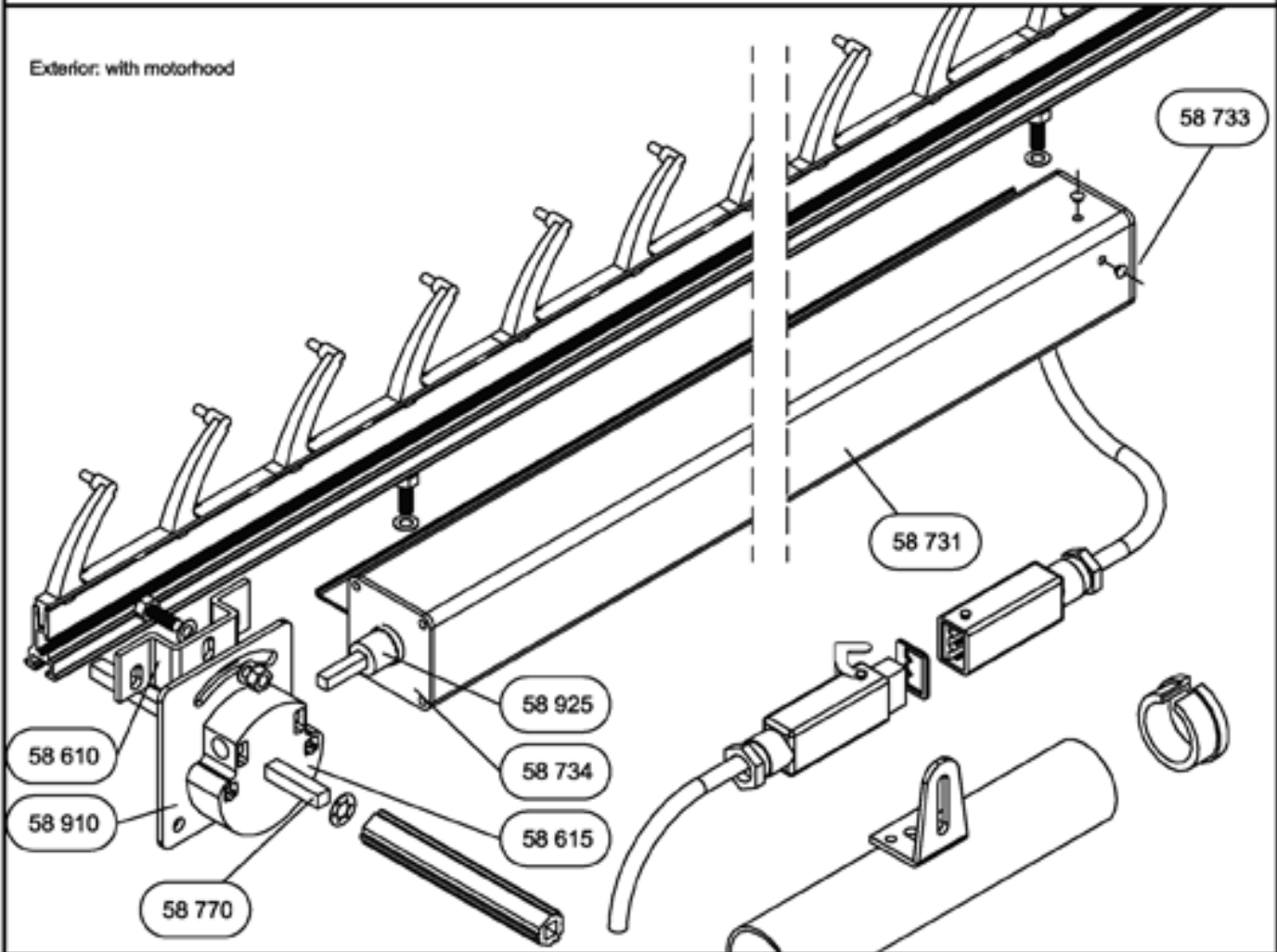
Internal

Wiring diagram

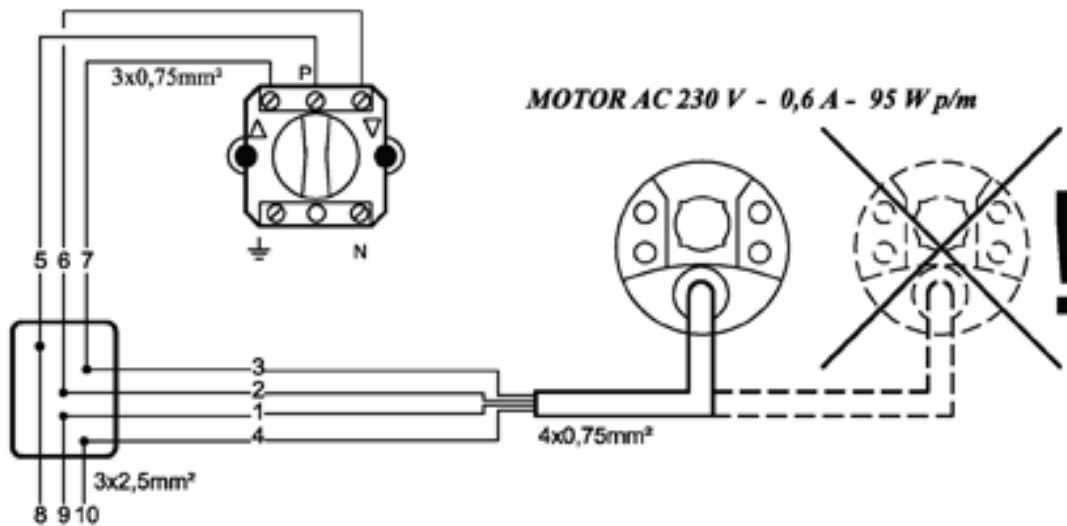


- 1 = Blue
- 2 = Brown
- 3 = Black
- 4 = Yellow/Green
- 5 = Brown
- 6 = Black 1
- 7 = Black 2
- 8 = Brown
- 9 = Blue
- 10 = Yellow/Green

Exterior: with motorhood



Wiring diagram

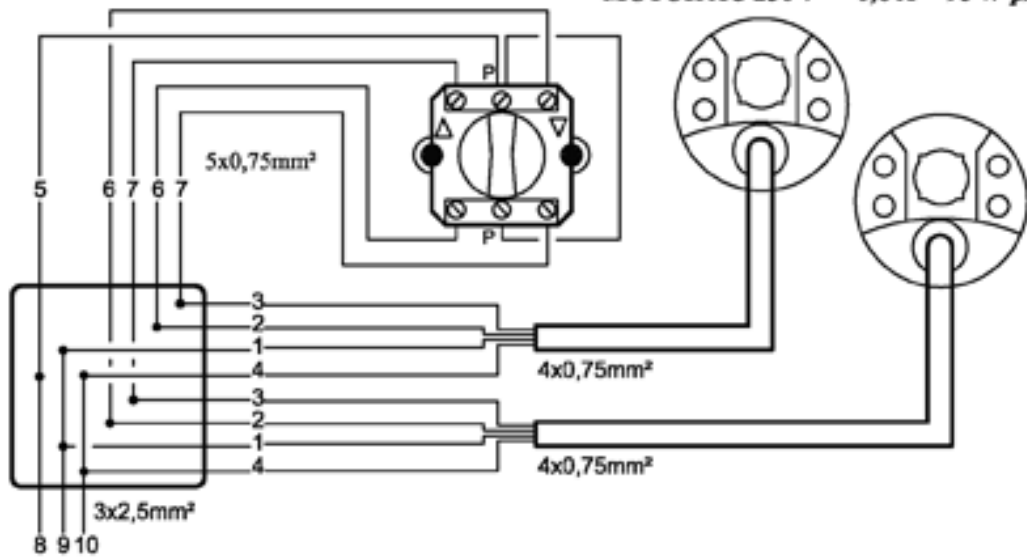


- 1 = Blue
- 2 = Brown
- 3 = Black
- 4 = Yellow/Green
- 5 = Brown
- 6 = Black 1
- 7 = Black 2
- 8 = Brown
- 9 = Blue
- 10 = Yellow/Green

Code

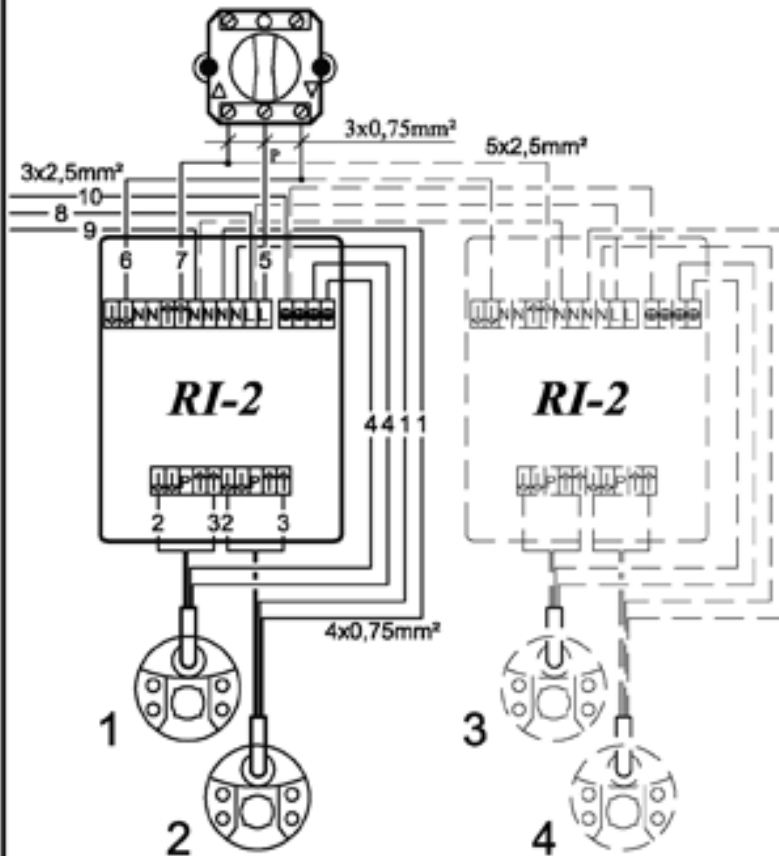
Wiring diagram

**MOTOR AC 230 V - 0,6 A - 95 W p/m**



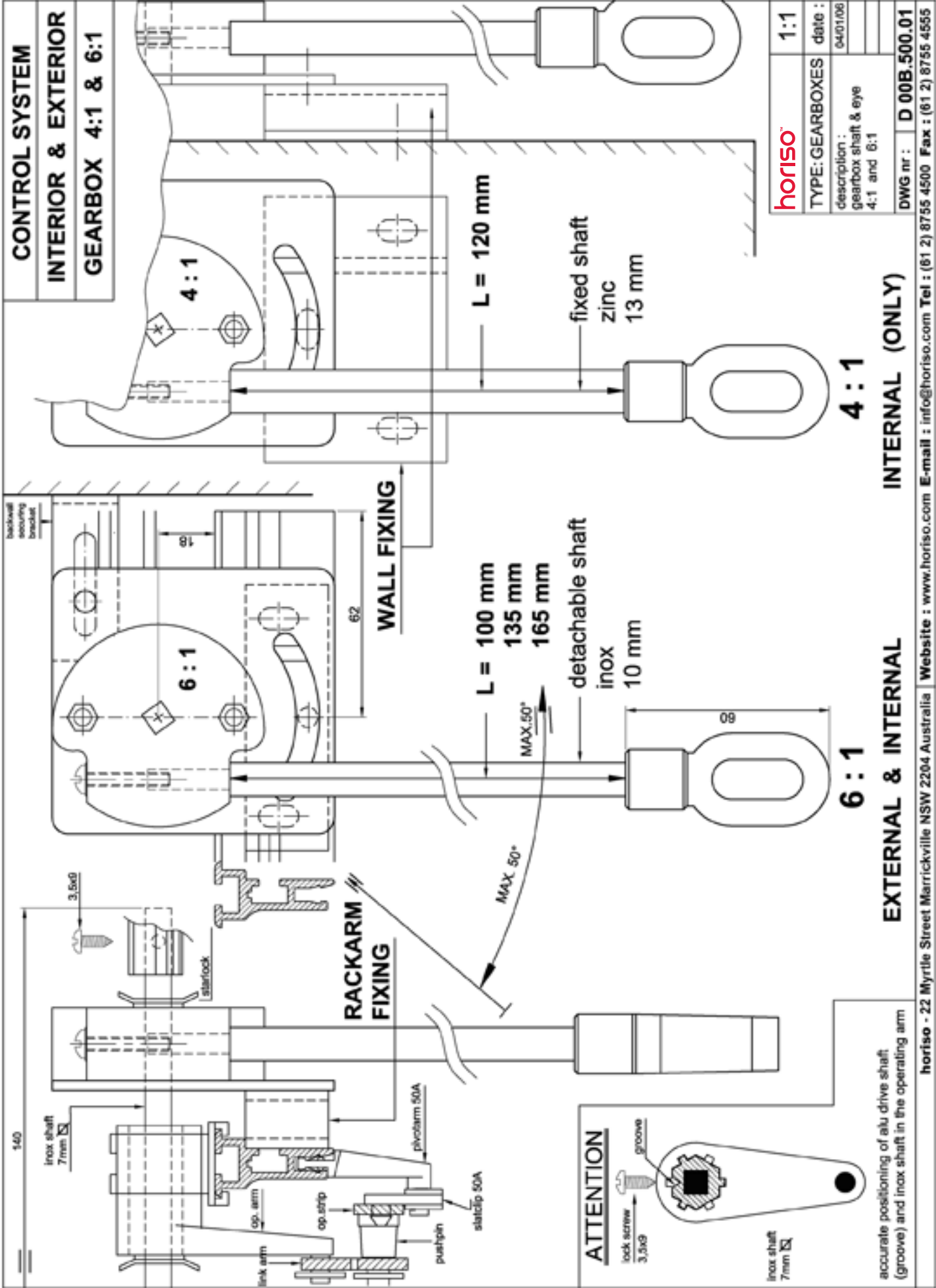
- 1 = Blue
- 2 = Brown
- 3 = Black
- 4 = Yellow/Green
- 5 = Brown
- 6 = Black 1
- 7 = Black 2
- 8 = Brown
- 9 = Blue
- 10 = Yellow/Green

Wiring diagram



- 1 = Blue
- 2 = Brown
- 3 = Black
- 4 = Yellow/Green
- 5 = Brown
- 6 = Black 1
- 7 = Black 2
- 8 = Brown
- 9 = Blue
- 10 = Yellow/Green

**MOTOR AC 230 V - 0,6 A - 95 W p/m**

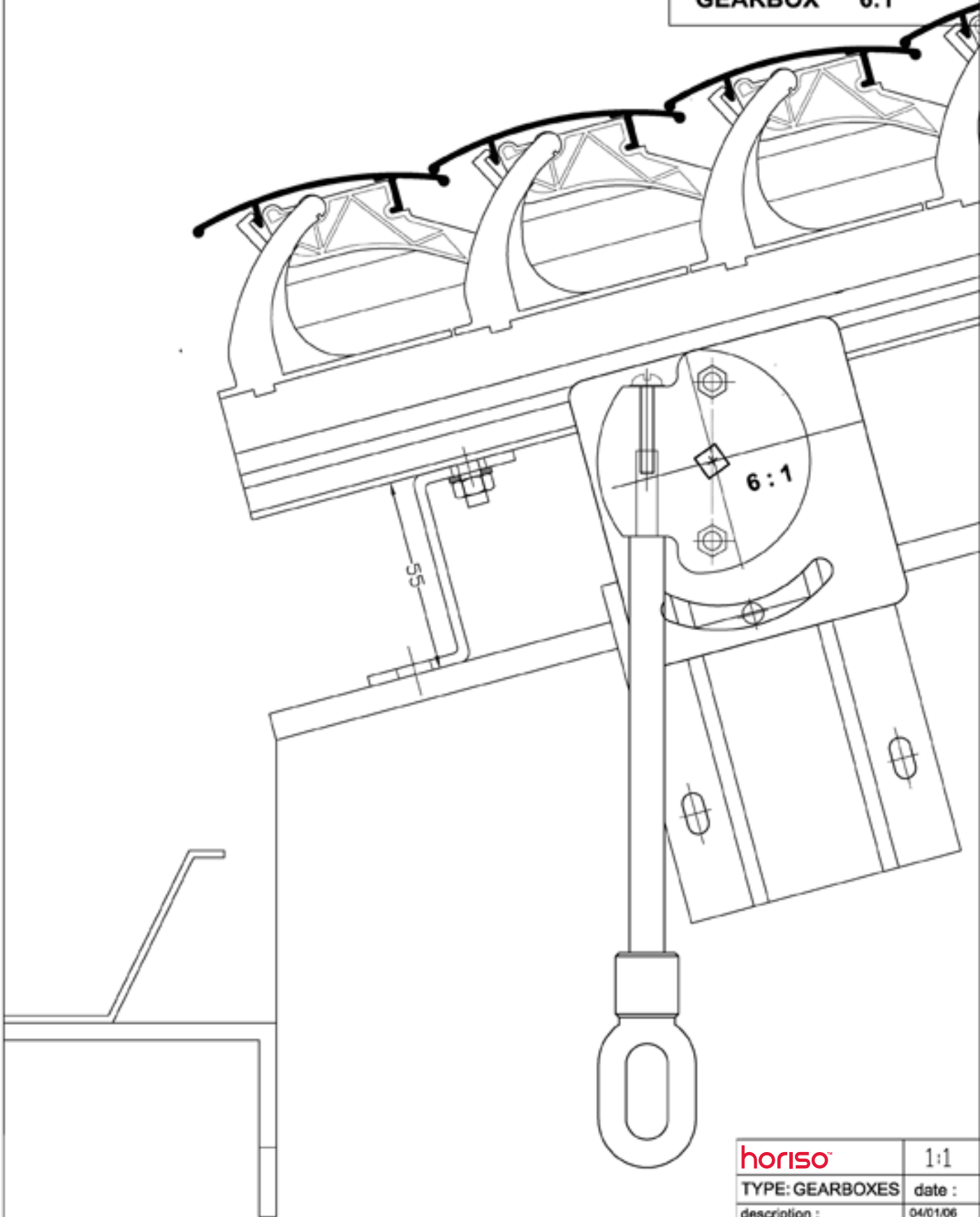


**horiso**

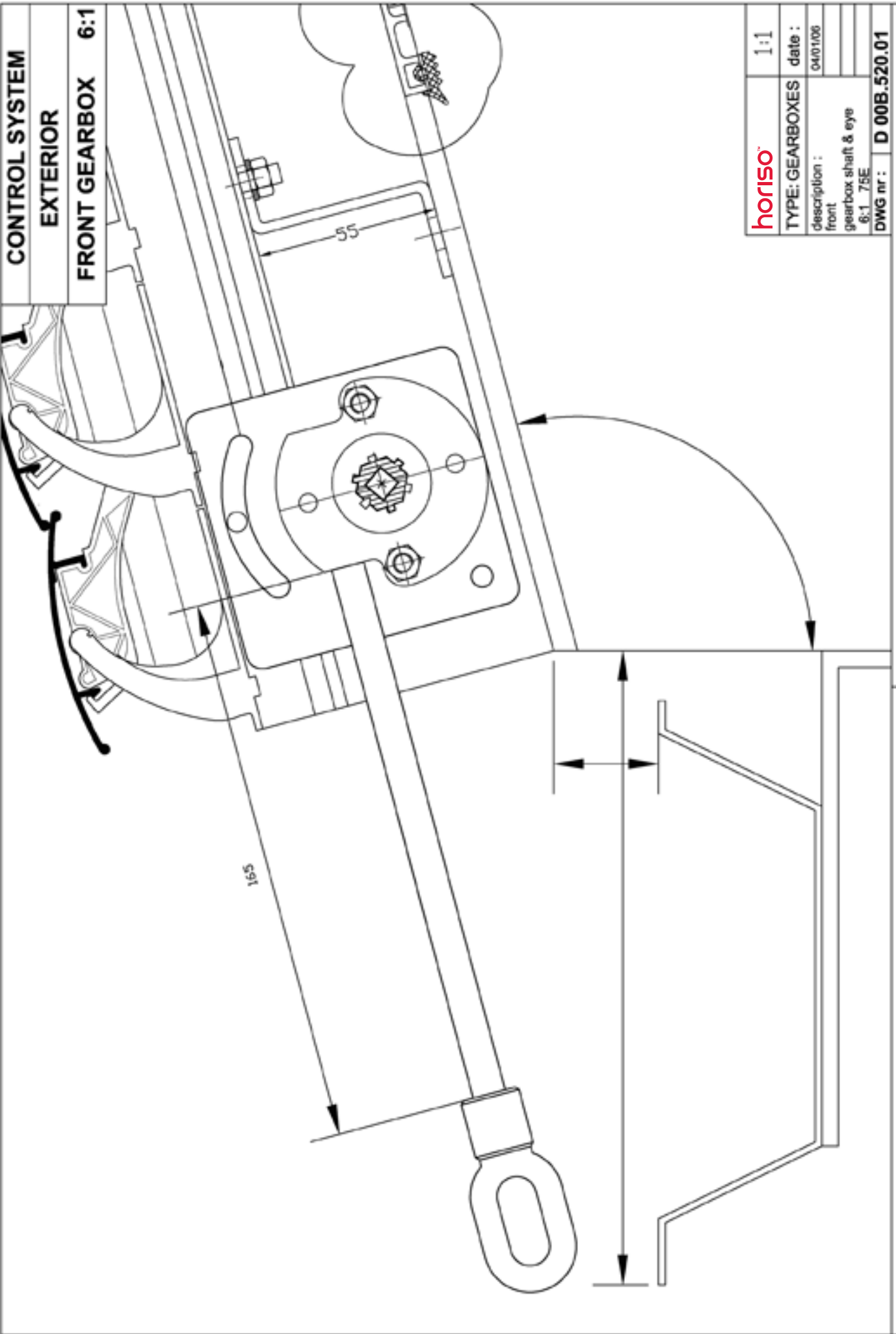
TYPE: GEARBOXES	date :
description : gearbox shaft & eye 4:1 and 6:1	04/01/06
DWG nr :	D 00B.500.01
	1:1

**EXTERNAL & INTERNAL INTERNAL (ONLY)**

**CONTROL SYSTEM**  
**EXTERIOR**  
**ALONG SIDE (side view)**  
**GEARBOX 6:1**



<b>horiso</b>	1:1
<b>TYPE: GEARBOXES</b>	date :
description :	04/01/06
along side (side view)	
gearbox shaft & eye	
6:1 75E	



horiso

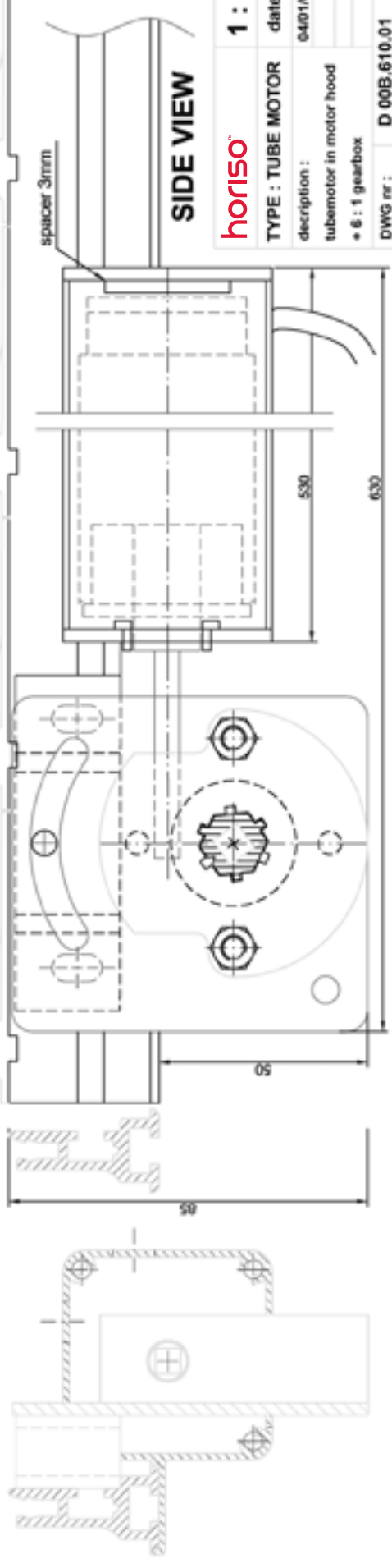
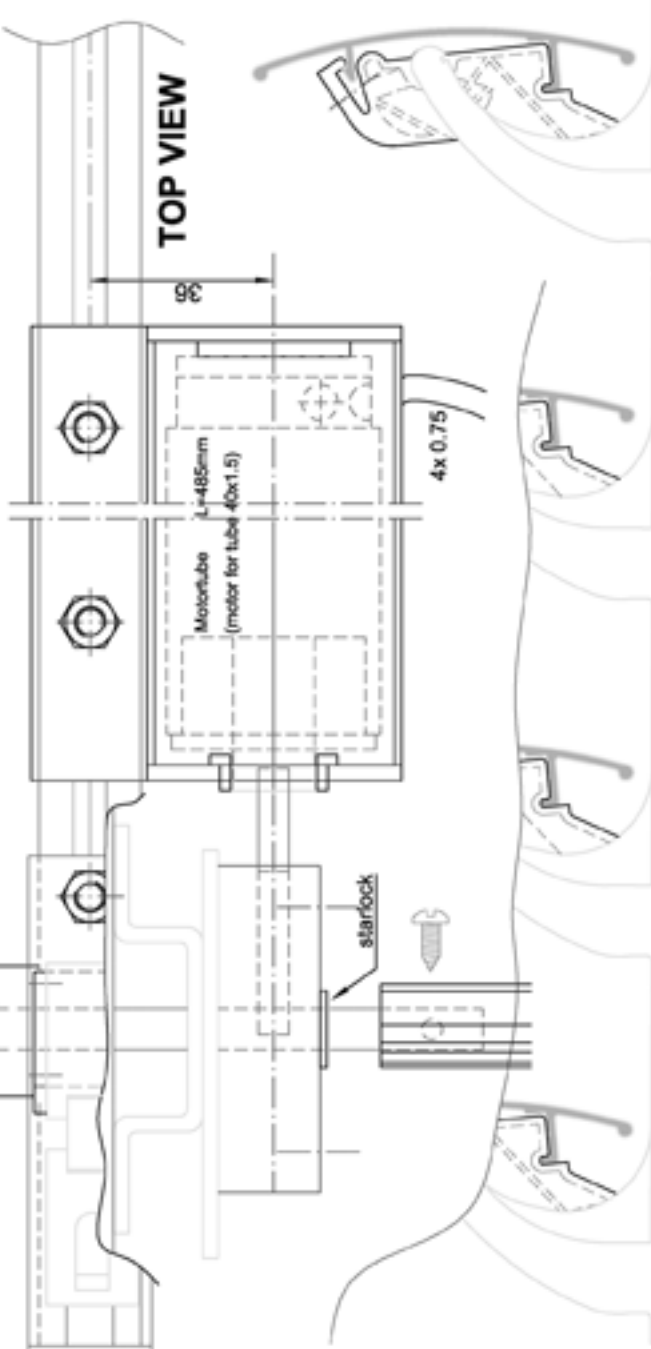
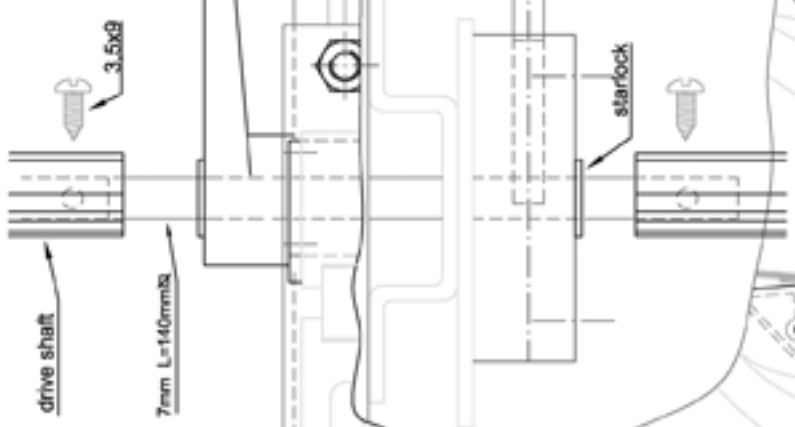
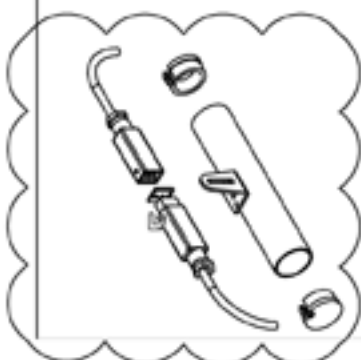
1:1

<b>TYPE: GEARBOXES</b>	<b>date :</b>
description :	04/01/06
front	
gearbox shaft & eye	
6:1 75E	
<b>DWG nr :</b>	<b>D 00B.520.01</b>

**CONTROL SYSTEM**

**EXTERIOR**

**TUBEMOTOR + MOTOR HOOD + 6 : 1**

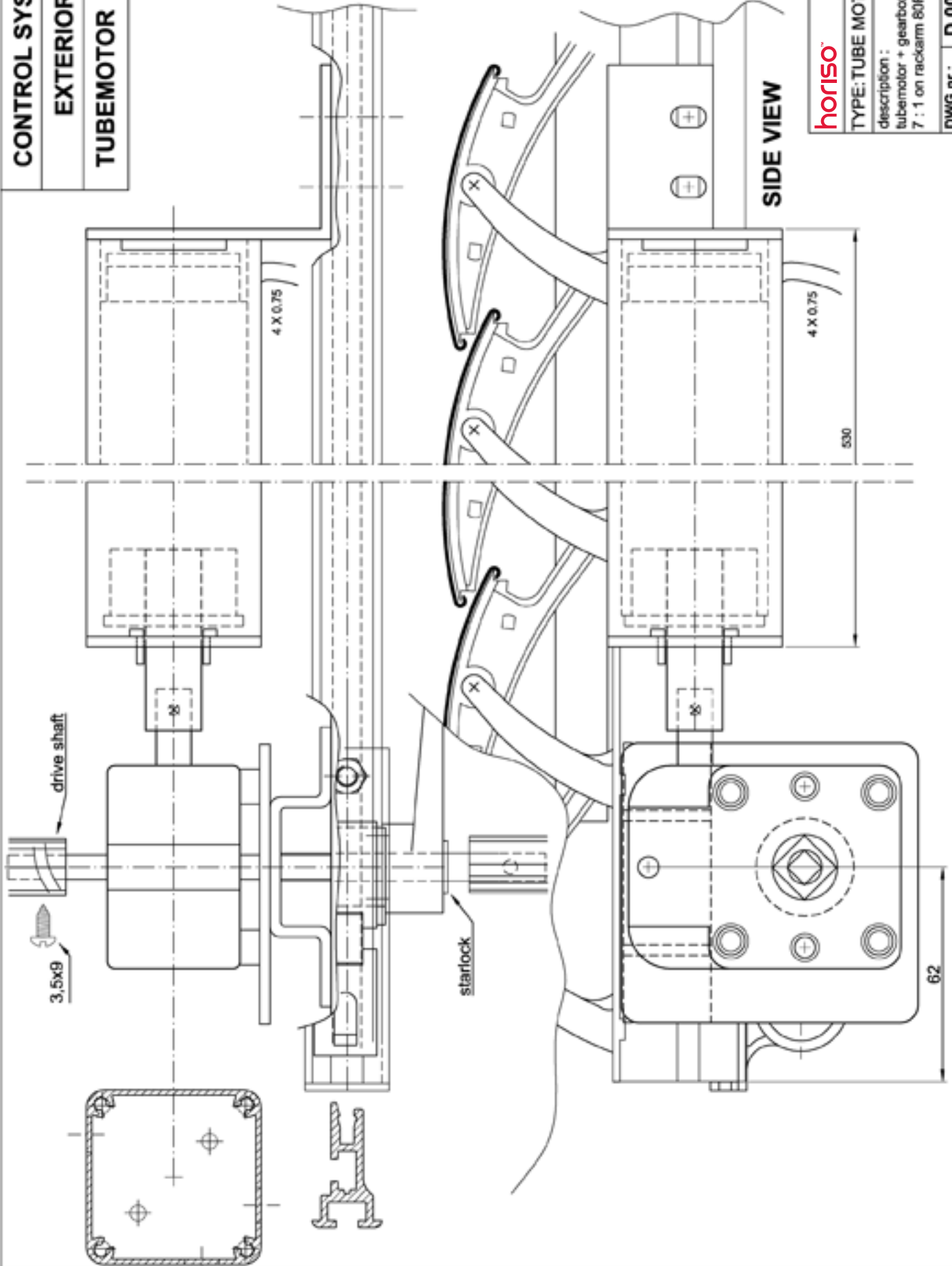


<b>horiso</b>	<b>1 : 1</b>
<b>TYPE : TUBE MOTOR</b>	<b>date :</b>
description :	04/01/06
tubemotor in motor hood	
+ 6 : 1 gearbox	
DWG nr :	D 00B.610.01

CONTROL SYSTEM

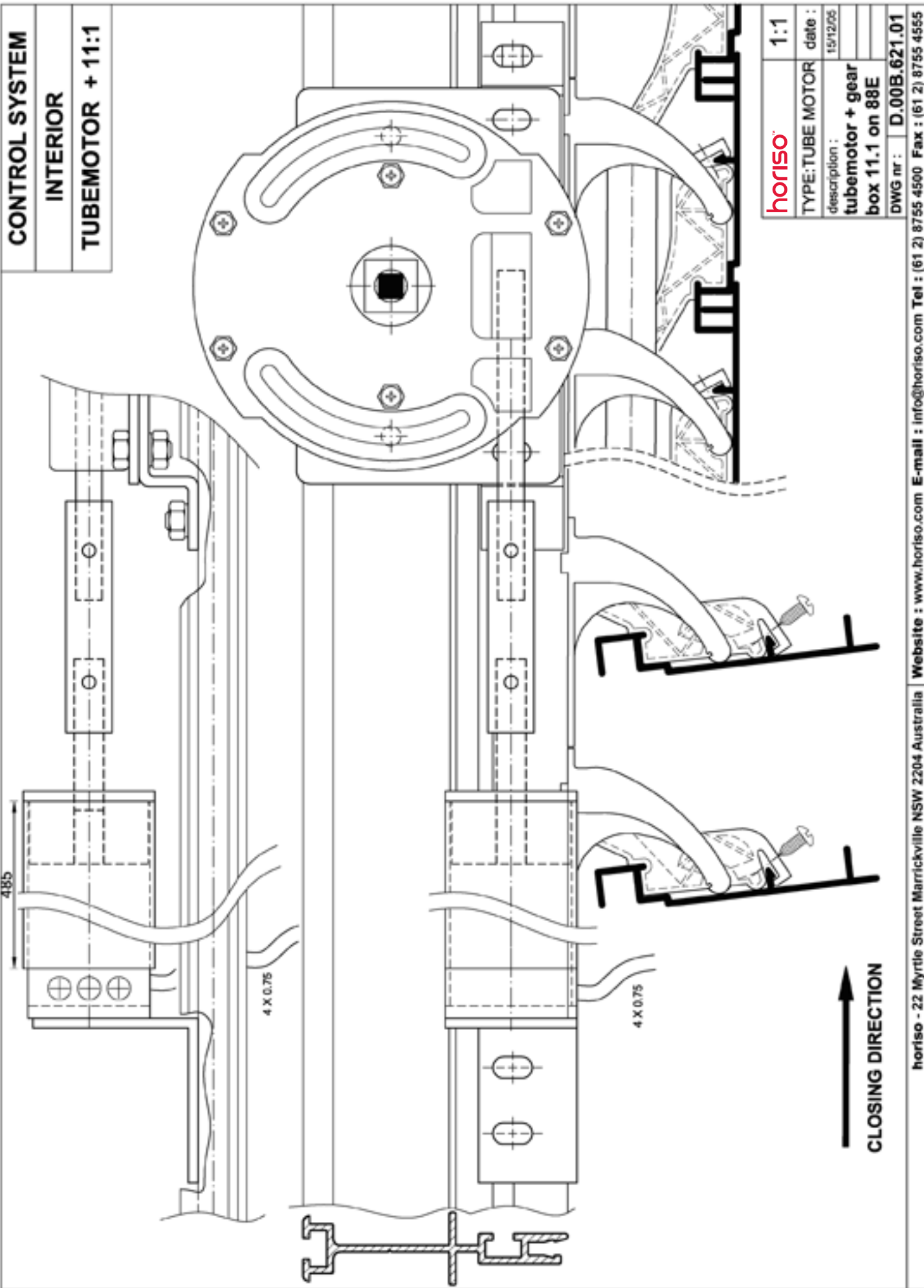
EXTERIOR

TUBEMOTOR + 7:1



SIDE VIEW

<b>horiso</b>	<b>1:1</b>
<b>TYPE: TUBE MOTOR</b>	<b>date:</b>
description :	13/12/05
tubemotor + gearbox	
7 : 1 on rackarm 80R	
<b>DWG nr: D 00B.617.01</b>	
<b>horiso - 22 Myrtle Street Marrickville NSW 2204 Australia Website : www.horiso.com E-mail : info@horiso.com Tel : (61 2) 8755 4500 Fax : (61 2) 8755 4555</b>	



**CONTROL SYSTEM**

**INTERIOR**

**TUBEMOTOR + 11:1**

**horiso**

**1:1**

TYPE: TUBE MOTOR	date :
description :	15/12/05
tubemotor + gear	
box 11.1 on 88E	
DWG nr :	D.00B.621.01

485

4 X 0.75

4 X 0.75

→  
**CLOSING DIRECTION**